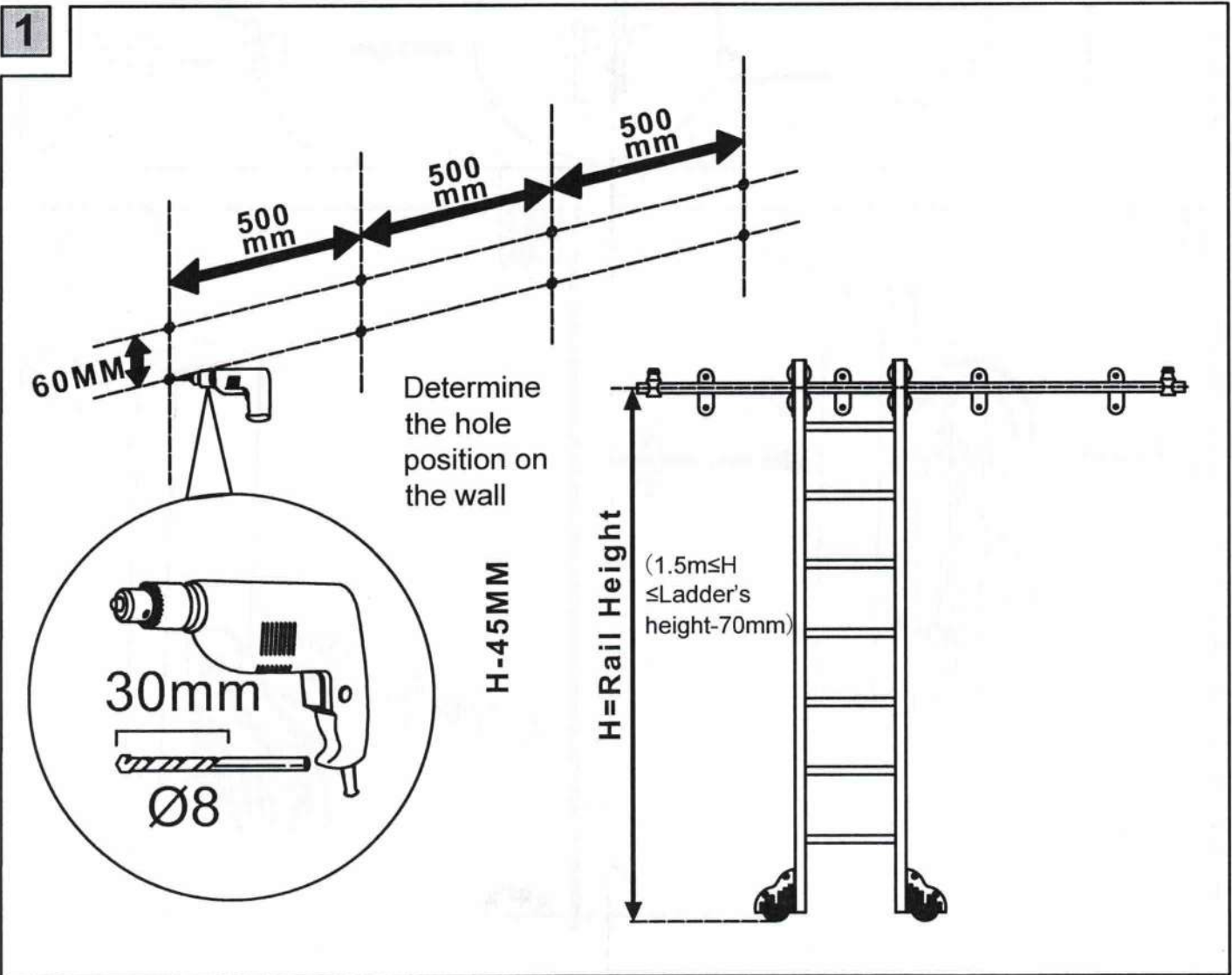
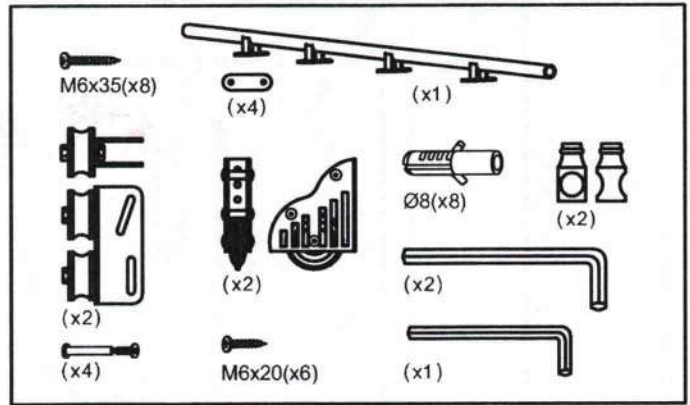
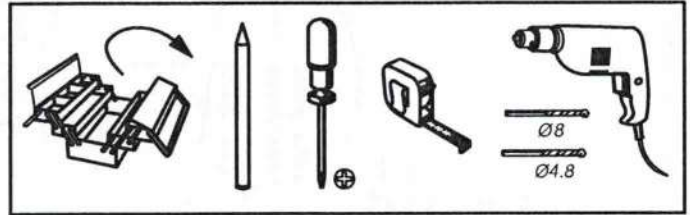
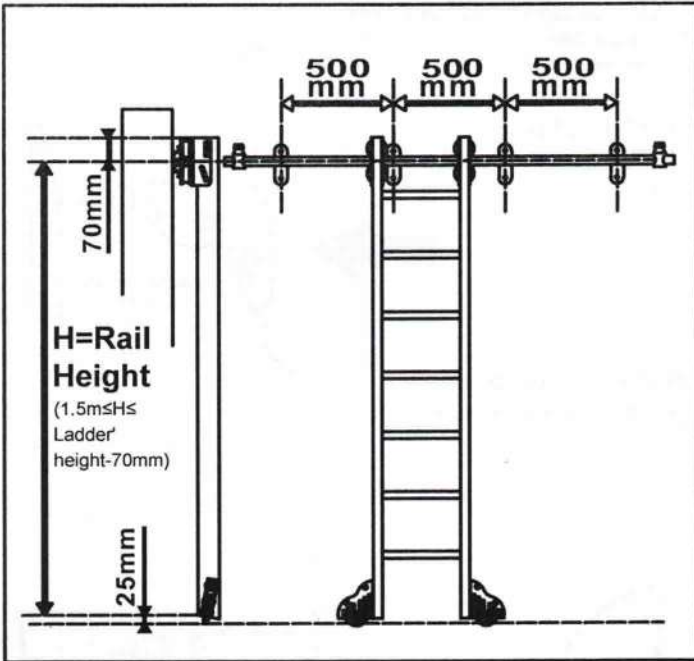


Installation Manual

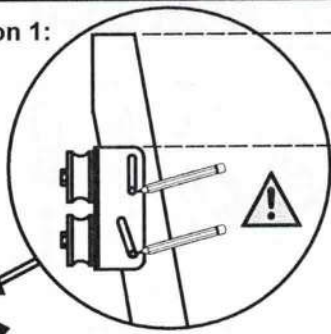


2

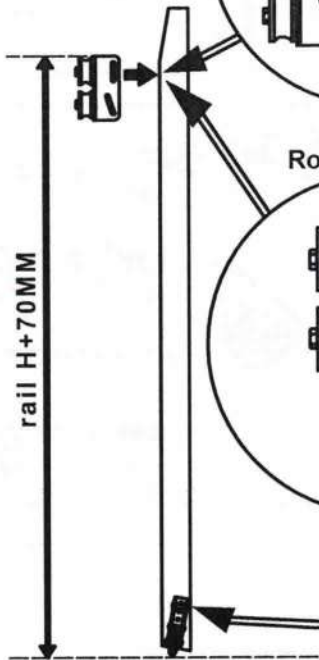
Roller position 1:



Make sure the top line of the roller and the top line of the ladder are parallel



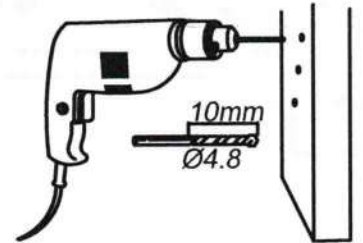
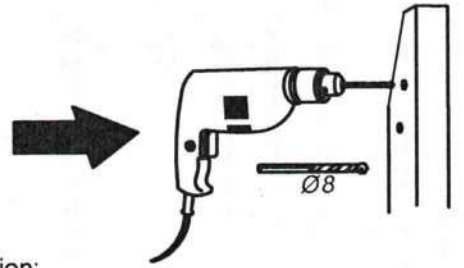
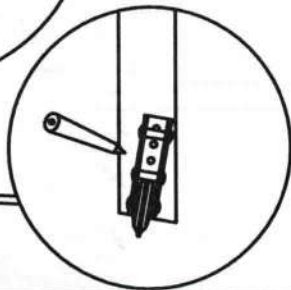
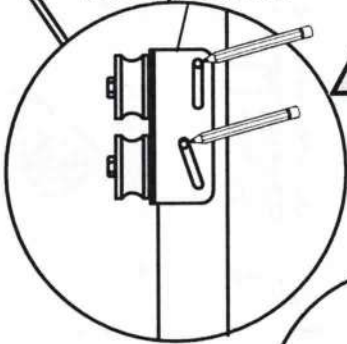
Notice the hole position



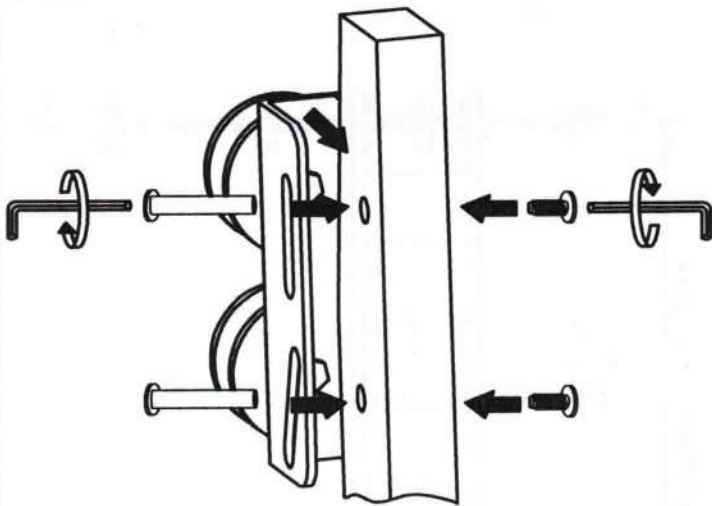
Roller position 2:



Notice the hole position; is different with above.



3



4

