

YM-2400SL

Shear Magnetic Lock



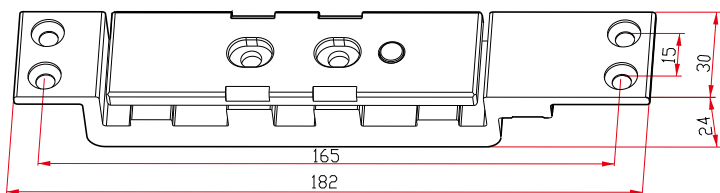
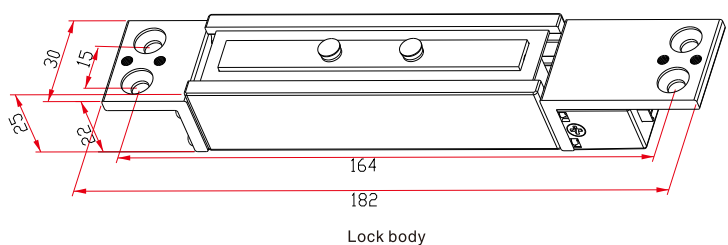
Product overview

The shear lock comprises of an electromagnet and an armature plate. To lock the door, the armature plate with its shear keeper is attracted to the electromagnet that has the lock bolt. The lock bolt fills the holes in the shear keeper resulting in a mechanical locking action and has a high physical shear holding force. This shear lock has 1000kg shear holding force since it combines mechanical and electromagnetic locking mechanisms. And it can also work at the temperature of 60 °C or 20 °C below zero based on the all-metal lock body.

YM-2400SL has a lot of new functions and designs, such as Auto-detective Circuitry function, Auto-lock Time Delay function and Door Sensor Output design. It is suitable for narrow frame doors, metal doors, wooden doors, glass doors and PVC doors and the best choice for access control projects.

Dimensions

Unit: mm

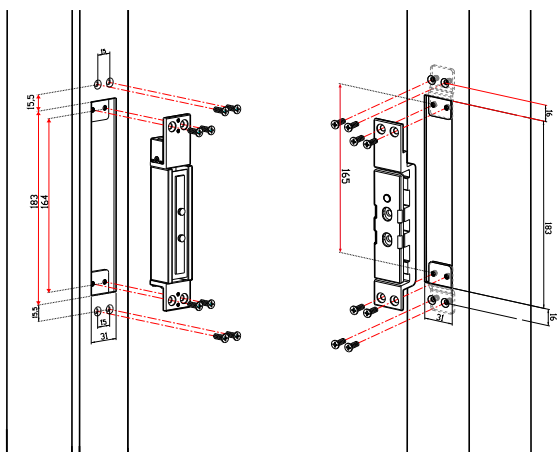


Specifications/Model

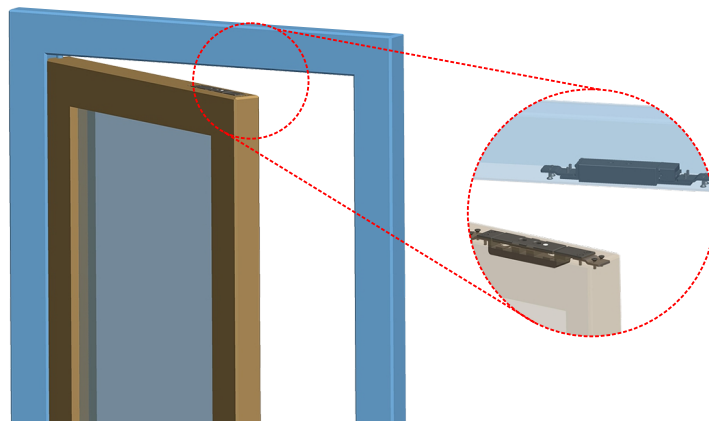
YM-2400SL

Product Parameter	Technical Parameters
Lock Dimensions	182Lx30Wx25D(mm)
Armature Plate	182Lx30Wx23.8D(mm)
Voltage	DC12V (DC24V can be customized.)
Operation Current	850mA
Holding Current	400mA
Time Delay	0.5,10,15s Adjustable
Door signal output	NO/COM(0.1 @ 30VDC)
Lock signal output	NC/NO/COM(0.1 @ 30VDC)
Holding Force	1000kg
Magnetic distance(max.)	3mm
LED	Red shows locked; Green shows unlocked
Weight	1.2kg

Installation dimension



Installation diagram

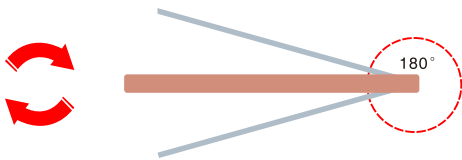


Horizontal or Vertical installation

Shenzhen YLI Electric Lock Co.,Ltd.

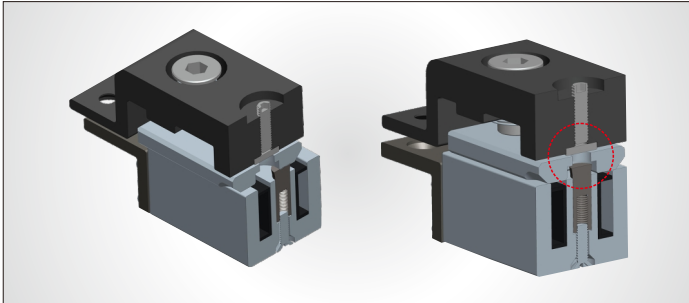
Suitable for double action doors

This shear lock is specially designed for double action doors. They can also be installed on 90 degrees or 180 degrees double swing doors.



Auto-detective circuitry

This special auto-detective circuit of electric bolt keeps the bolt retracted while the door unlocked or improperly aligned until the door is properly closed.



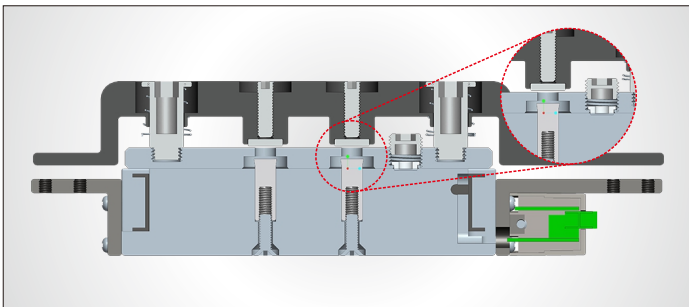
All-in-one lock body

With all-in-one design, this shear lock can be easily installed on any kinds of door frame.



Electromagnetic and lock bolt design

This shear lock has 1000kg shear holding force since it combines mechanical and electromagnetic locking mechanisms.



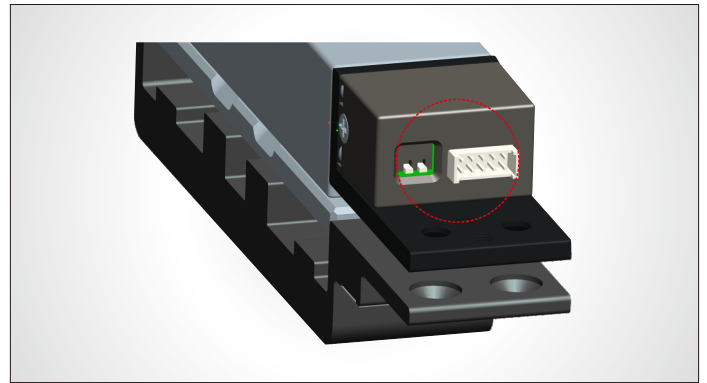
Auto-lock time delay function

This can be set up from 0 to 15 seconds by adjusting the jumpers.



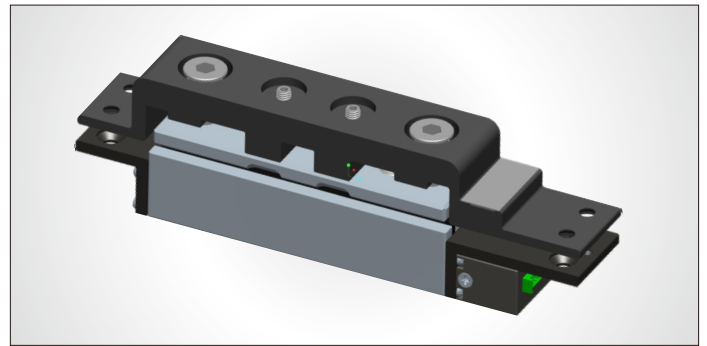
Smart circuit

With time delay function and door sensor output design.



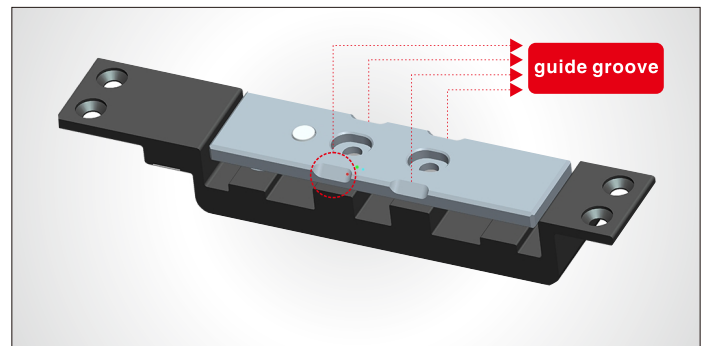
All-metal lock body

The all-metal lock body makes the lock stronger and more durable, which ensure the lock can work under the harsh environment.



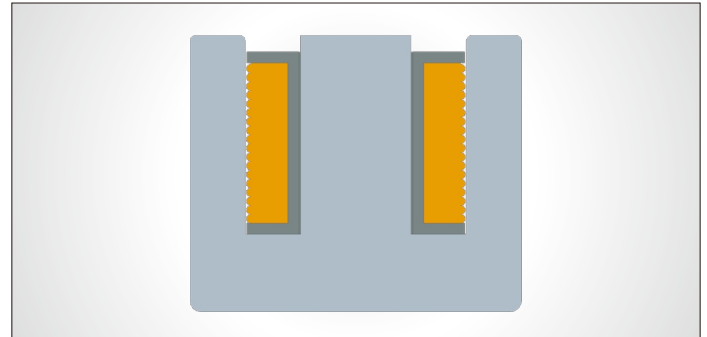
Armature plate with guide groove

With guide grooves at both sides of the armature plate.



Ultra durable solenoid valve

Tested for over 1,000,000 times, the specially designed solenoid valve can be used for 5 to 10 years.



Shenzhen YLI Electric Lock Co.,Ltd.

Room 1605, Block A, Haisong Building, Tairan 9th Road, Futian District, Shenzhen, China
TEL:86-755-83489801/02/03/04/05/06 FAX:86-755-83489807
Website: www.yli.cn E-mail: yli@yli.cn

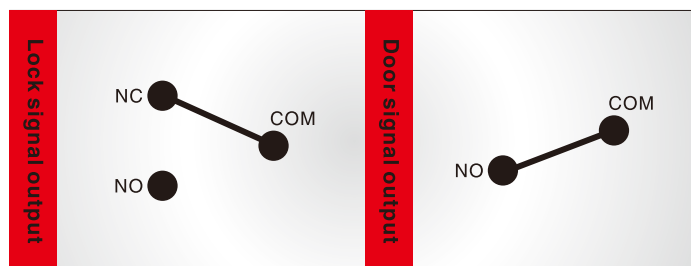


Connecting instructions

Model Color	9 PIN Connection		
Red	DC 12V	Black	GND
Purple	Purple wire of the light	Orange	Orange wire of the light
Green	Door Positions Sensor NO	※	Dangling
Brown	Lock Positions Sensor NC	Blue	Lock Status Sensor NO
Gary	Lock Positions Sensor COM	White	Door Status Sensor COM

Door/Lock status sensor

A set of NO/COM door signal output contact and a set of NO/NC/COM lock signal output contact.



Shenzhen YLI Electric Lock Co.,Ltd.

Room 1605, Block A, Haisong Building, Tairan 9th Road, Futian District, Shenzhen, China
 TEL:86-755-83489801/02/03/04/05/06 FAX:86-755-83489807
 Website: www.yli.cn E-mail: yli@yli.cn