

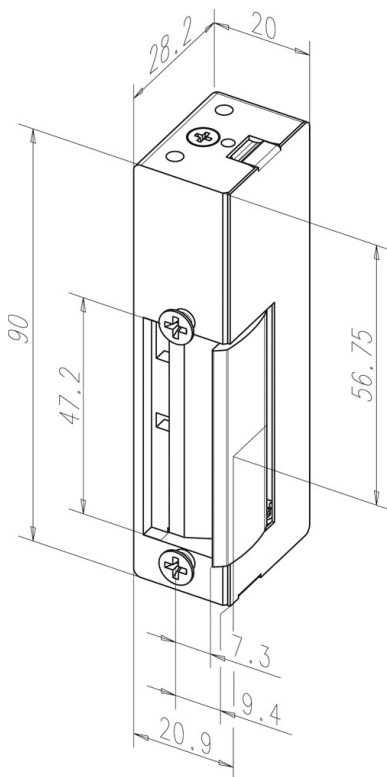
Model with basic equipment.

Overview of Advantages

- Suitable for all common striking plates
- Can be combined with striking plates with latch bolt guide (standard) without FaFix®
- Due to 180° fitting, can be used DIN right and left

Scope of delivery

- 1 piece electric strike
- 1 operating manual



technical data	
Voltage	6-12 V AC/DC
Fail-locked	Yes
Break-in resistance	6500 N
Height	90 mm
Width	20 mm
Depth	28,2 mm
Operating temperature range	-15 °C to +40 °C
Installation position	vertical and horizontal
Material housing	Die-cast zinc
Latch material	Steel
Material surface-mounted attachment	Die-cast zinc
Rated resistance 6 V	7,70 Ω
Nominal resistance 12 V	7,70 Ω
AC-current consumption 6 V	550 mA
AC current consumption 12 V	1100 mA
DC-current consumption (50% Residual ripple) 6 V	740 mA
DC-current consumption (50% Residual ripple) 12 V	1480 mA
DC-current consumption (stabilized) 6 V	780 mA
DC-current consumption (stabilized) 12 V	1560 mA
AC-operating noise 6 V	loud [4]
AC-operating noise 12 V	loud [4]
DC-operating noise 6 V	low [1]
DC-operating noise 12 V	low [1]
Max. latch preload AC operation 6 V	160 N
Max. latch preload AC operation 12 V	160 N
Max. latch preload DC (50% ripple) 6 V	40 N
Max. latch preload DC (50% ripple) 12 V	100 N
Max. latch preload DC (stabilised) 6 V	10 N
Max. latch preload DC (stabilised) 12 V	60 N

Article number

14-----D11