



YLI ELECTRONIC

Time-Delay Control Module

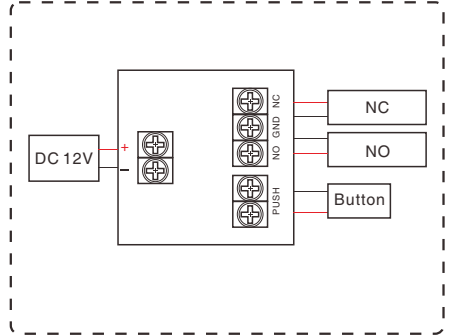
Model: PCB-505



Specification

- Dimensions: 55Lx40.2Wx19.1H(mm)
- Voltage: DC12V
- Current: 40mA
- Time Delay: 0-30 Seconds adjustable
- Operating temp: -20~+70°C
- Weight: 0.04kg

Wiring Diagram



www.yli.cn

We create security



YLI ELECTRONIC

Time-Delay Control Module

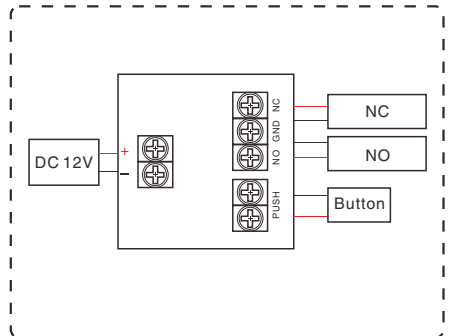
Model: PCB-505



Specification

- Dimensions: 55Lx40.2Wx19.1H(mm)
- Voltage: DC12V
- Current: 40mA
- Time Delay: 0-30 Seconds adjustable
- Operating temp: -20~+70°C
- Weight: 0.04kg

Wiring Diagram



www.yli.cn

We create security