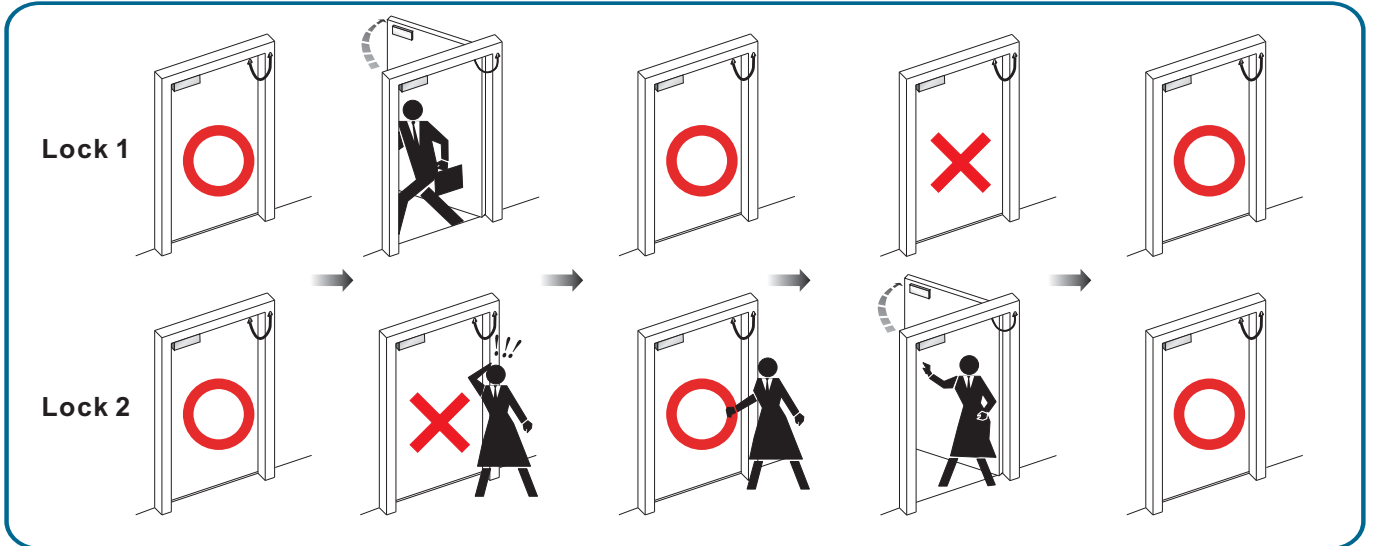


ILM-200 INTERLOCKING RELAY MODULE

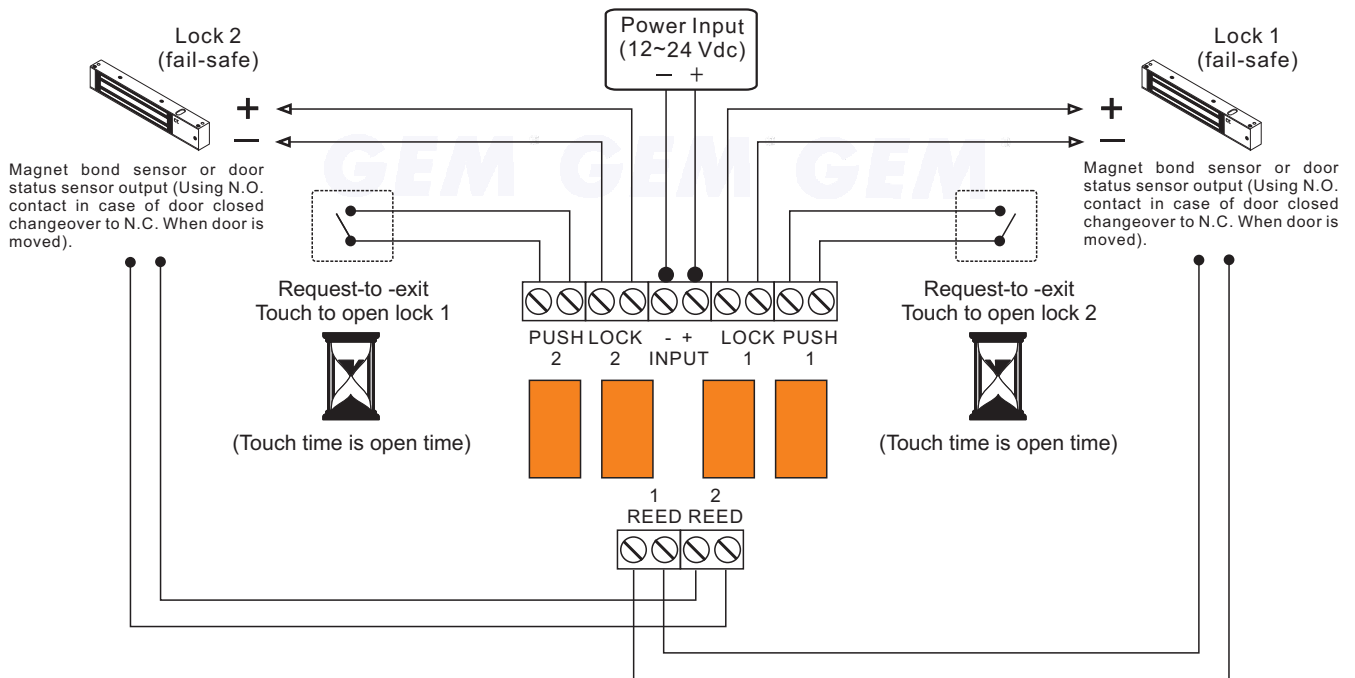
Interlocking relay module is an implement for two doors egress controlling, simply for fail-safe version electrified locking devices which come with signal output to integrate lock 1 and lock 2 alternately from changeover relays build in ILM-100, consequentially on all-inclusive sites application.

Case Size: 73(L)X63(W) mm
 for Common Europe single-gang box sized
 Relay rated 3A@125Vac, 24Vdc
 12~24 V DC power input, input equivalent to Output voltage.
 (Lock-1, Lock-2 contact output)
 Operating Temper.: - 20~+70°C
 Humidity: 0~95% non-condensing.

Schematic to make use of Interlocking Relay Module on sites



Upon both doors closed (Lock 1 and 2), any of the Lock 1 or 2 on door been opened (for example: Lock 1), the other lock remains (Lock 2) on door will not be able to open at the same time, until the opened door (Lock 1) been closed. Or, the alternation of Lock 1 and Lock 2 on doors taking its turns to feature of Interlocking perfectibility.



NOTE:

1. Interlocking relay module is an implement for **two doors** egress controlling and for **fail-safe** version electrified locking devices.
2. Input equivalent to Output (**Lock-1, Lock-2 contact** output) voltage.
3. The electrified locking devices qualify for the function is indispensable of **lock status sensor** or **door position sensor output** to indicates locked/unlocked or opened/closed.