

150KG Electromagnetic Lock Instruction

I、Function :

The product consists of an electromagnet which mounts on the fixed frame and a strike plate which mounts on the moving door or gate. The strike plate is delivered with fasteners that permit it to flex so that when the door closes, it automatically self aligns with the magnet. Magnetic force then takes over, strongly securing the door. Release is achieved by switching off power to the magnet, DC12 or DC24V selectable.

II、Main parameter :

voltage: DC12V、DC24V

current: 12V/360mA、24V/180mA

armature plate : 135mmL × 32mmW × 8mmD

magnet: 166mmL × 34.5mmW × 21.5mmD

holding force: 300LBS

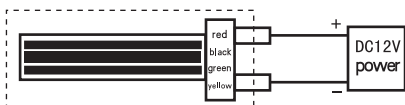
temperature: -20°C ~ +55°C

III、Connection :

DC12V: red and black; green and yellow
(the line can connect freely)

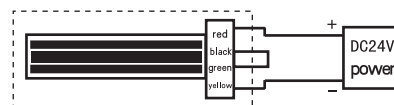
DC24V: red connects +, and yellow connects -, blue and green are in the line.

DC12V Input Wiring:



connection method

DC24V Input Wiring:



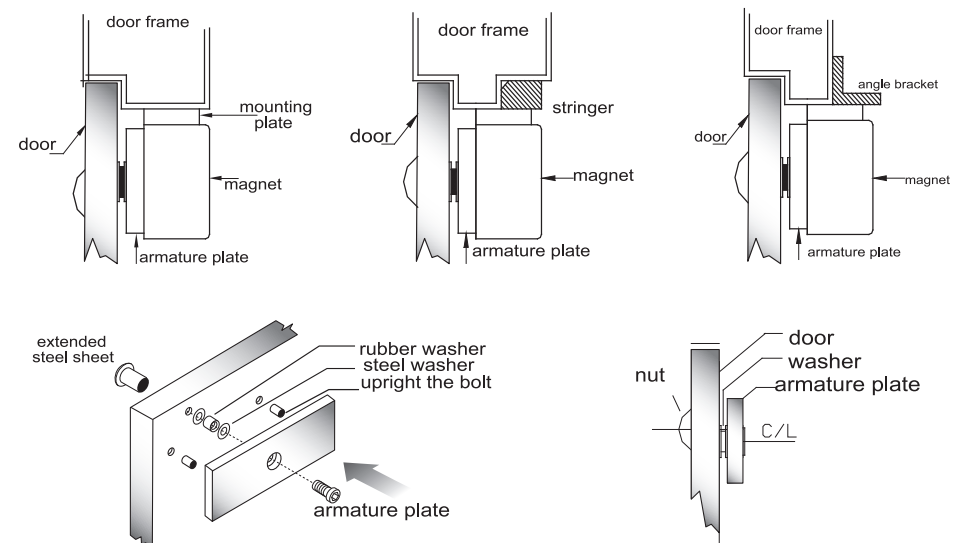
connection method

IV、Mounting :

A、Steps:

- Fold template along dotted line.
- Mount the armature plate to door using 1 rubber washer (the rubber washer and 2 steel washer are installed on the through sexnut between the armature plate and door).
- Install magnet to mounting plate with 2 M4 screws supplied.
- Install electrical wiring per instruction sheet.
- Test all functions of this model (see wiring instruction).

B、Diagram:



use for armature plate/surface mounted

V、Important:

- Handle the equipment carefully, damaging the mating surfaces of the mating or armature plate may reduce locking efficiency.
- The magnet mounts rigidly to the door frame. the armature plate mounts to the door with hardware. kit provided that allows it to pivot about its center to compensate for door wear and misalignment.
- Template use must take place with the door in its normally closed position.
- Firmly tighten all screws.
- Distance between the magnet and the armature plate must be less than 2mm.