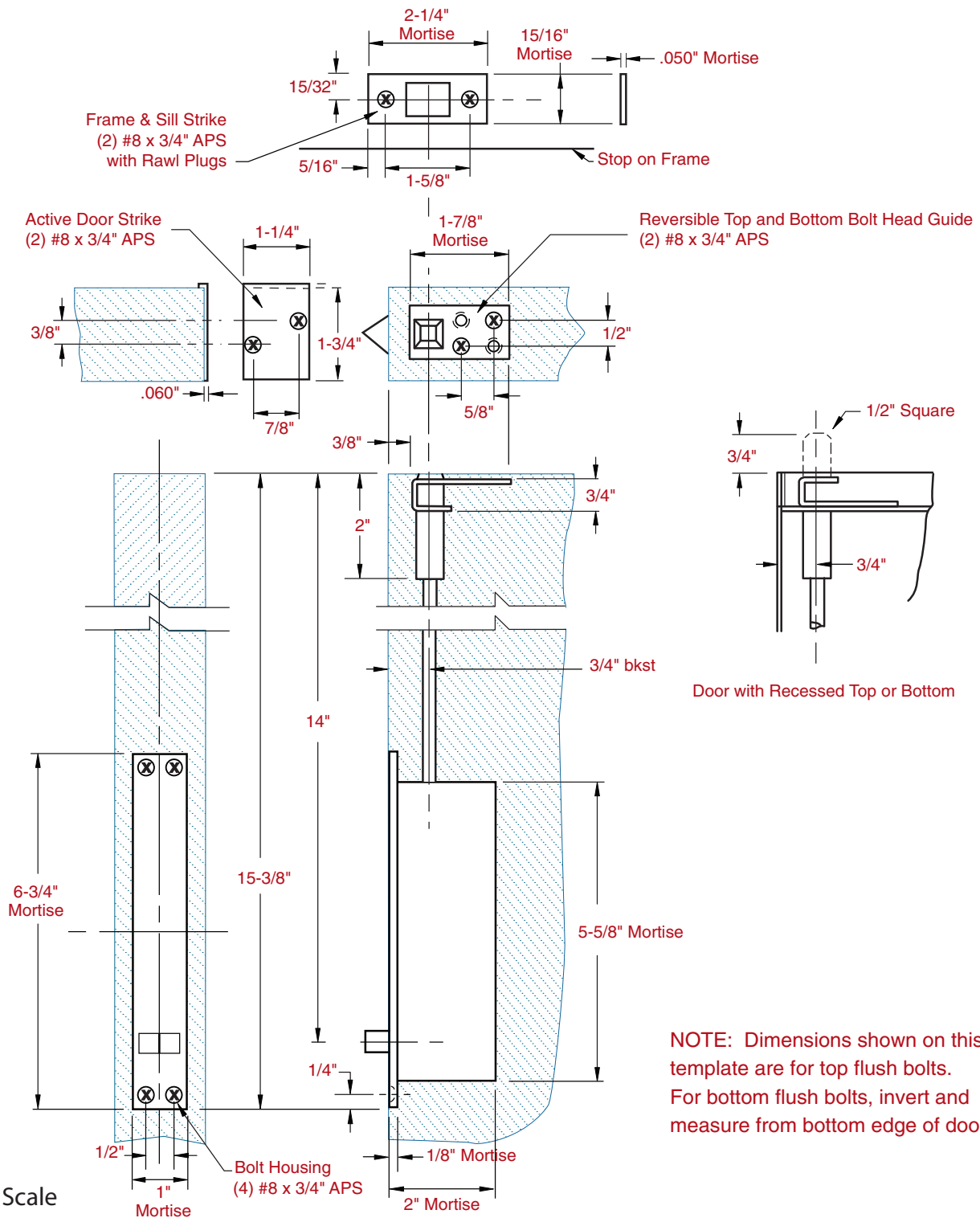


1842 Automatic Flush Bolt



Not To Scale

NOTE: Dimensions shown on this template are for top flush bolts. For bottom flush bolts, invert and measure from bottom edge of door.

Template No.
T-1842
Rev. 4/28/08

NOTE: Rockwood reserves the right to make product changes and is not responsible for obsolete template errors. To ensure your template is current, please visit our website at www.rockwoodmfg.com or call us at 800-458-2424.