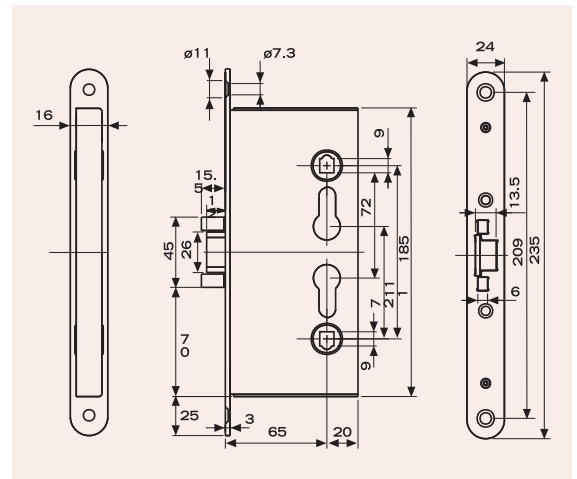


CF50/60 Series

- » Sintered steel latch: endures temperatures over 900° C.
- » 9x9 mm follower rod.
- » Distance between each axis: 72 mm.
- » 65 mm. Inlet
- » Reversible
- » Front finish in zinc (Z) or stainless (I)

Model	Follower rod	Panic function	External activation	Internal activation	Functioning	Application
CF50ASR9	Double	Yes	handle/pull handle + key	handle + key	the key removes the lever and the latch	passage doors
CF5000R9	Simple	No	pull handle/handle + key	handle + key	the key removes the lever and the latch	passage doors
CF60RSR9 *	Double	Yes	handle/pull handle + key	handle + key	the key deadlocks the external handle	passage doors
CF6TRSR9	Double	Yes	handle/pull handle + key	panic bar	the key deadlocks the external handle	emergency exit
CF6900R9	Simple	Yes	pull handle/handle + key	handle	external opening with a key	entrance hall
CF6500R9Z	Simple	Yes	handle	handle	free passage by both sides	passage doors

* Adjustable latch



CF50



CF60