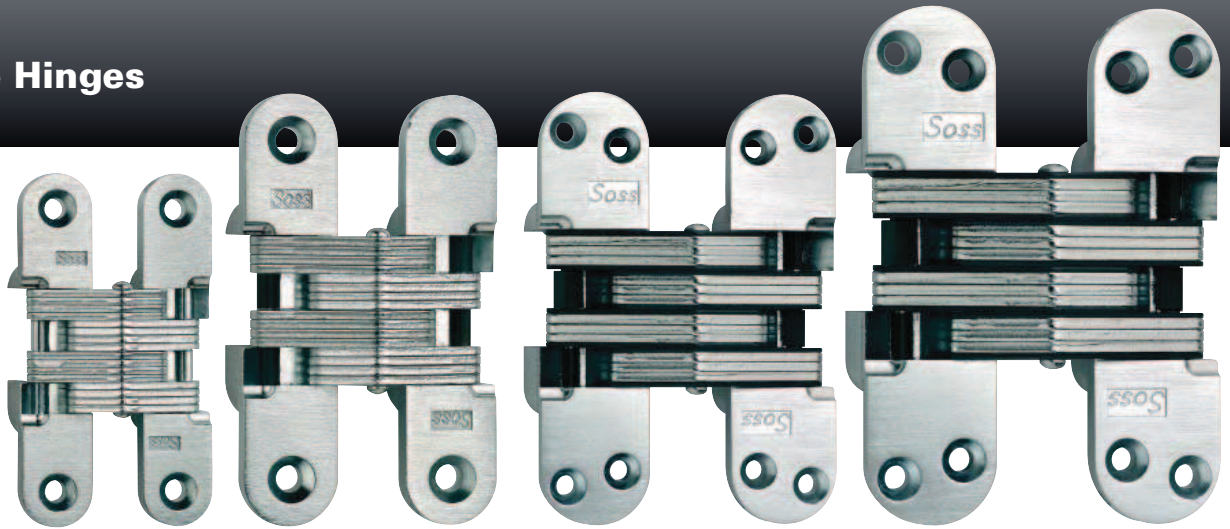


SOSS® Invisible Hinges

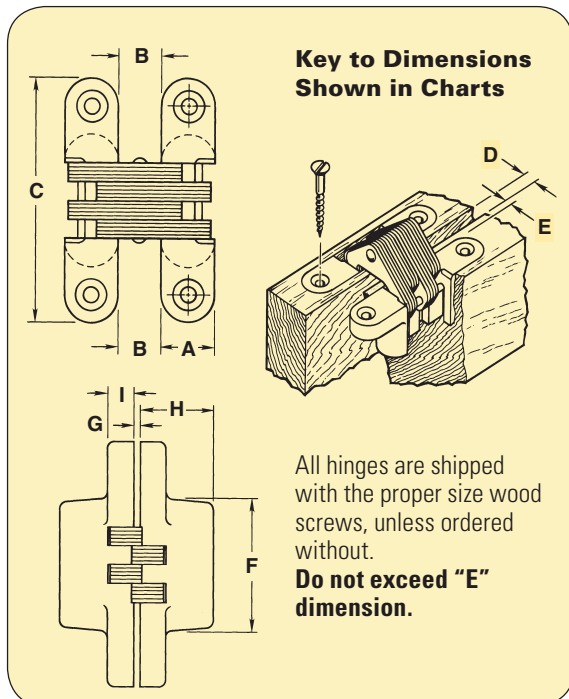
For Wood or Metal

Hinge illustrations are shown half size.



Dimension	212	216	218/218FR	220/220FR
A	3/4"(19.05mm)	1"(25.40mm)	1 1/8"(28.58mm)	1 3/8"(34.93mm)
B	1 7/32"(13.49mm)	2 3/32"(18.26mm)	7/8"(22.23mm)	1 1/16"(26.99mm)
C	3 3/4"(95.25mm)	4 5/8"(117.48mm)	4 5/8"(117.48mm)	5 1/2"(139.70mm)
D	5/32"(3.97mm)	7/32"(5.56mm)	3/8"(9.53mm)	1/2"(12.70mm)
E	3/16"(4.76mm)	1/4"(6.35mm)	1/4"(6.35mm)	9/32"(7.14mm)
F	2 1/16"(52.39mm)	2 19/32"(65.88mm)	2 7/16"(61.91mm)	2 15/16"(74.61mm)
G	3/64"(1.19mm)	1/16"(1.59mm)	1/16"(1.59mm)	1/16"(1.59mm)
H	1 5/64"(27.38mm)	1 7/16"(36.51mm)	1 41/64"(41.67mm)	1 15/16"(49.21mm)
I	3/8"(9.53mm)	1 5/32"(11.91mm)	1 3/32"(10.32mm)	1 5/32"(11.91mm)
Min. Matl. Thickness	1 1/8"(28.58mm)	1 3/8"(34.93mm)	1 3/4"(44.45mm)	2"(50.80mm)
Wood Screw Sizes	#10x1 1/4"(4.8x32mm)	#14x1 1/2"(6.3x38mm)	#10x1 1/2"(4.8x38mm)	#12x1 1/2"(5.5x38mm)
Soft Wood Pilot Hole	No. 43	No. 32	No. 43	No. 38
Hard Wood Pilot Hole	No. 31	No. 10	No. 31	No. 25
Machine Screw Sizes	#10-24x3/4"	#1/4-20x1"	#10-24x1"	#12-24x1"
Hinge Weight	.75 lb.	1.65 lb.	1.86 lb.	3.15 lb.

Note: Refer to page 15 for assistance with choosing the right hinge for the job. Refer to page 8 for FR (Fire Rated) information.



SOSS Invisible Hinge #220 used in Modernfold® Moving Walls to provide a projectionless, smooth look that is also tamper-proof and provides extra safety.