

# 3D

## Adjustable hinges for timber



3 axis adjustable hinges for wooden doors and windows.

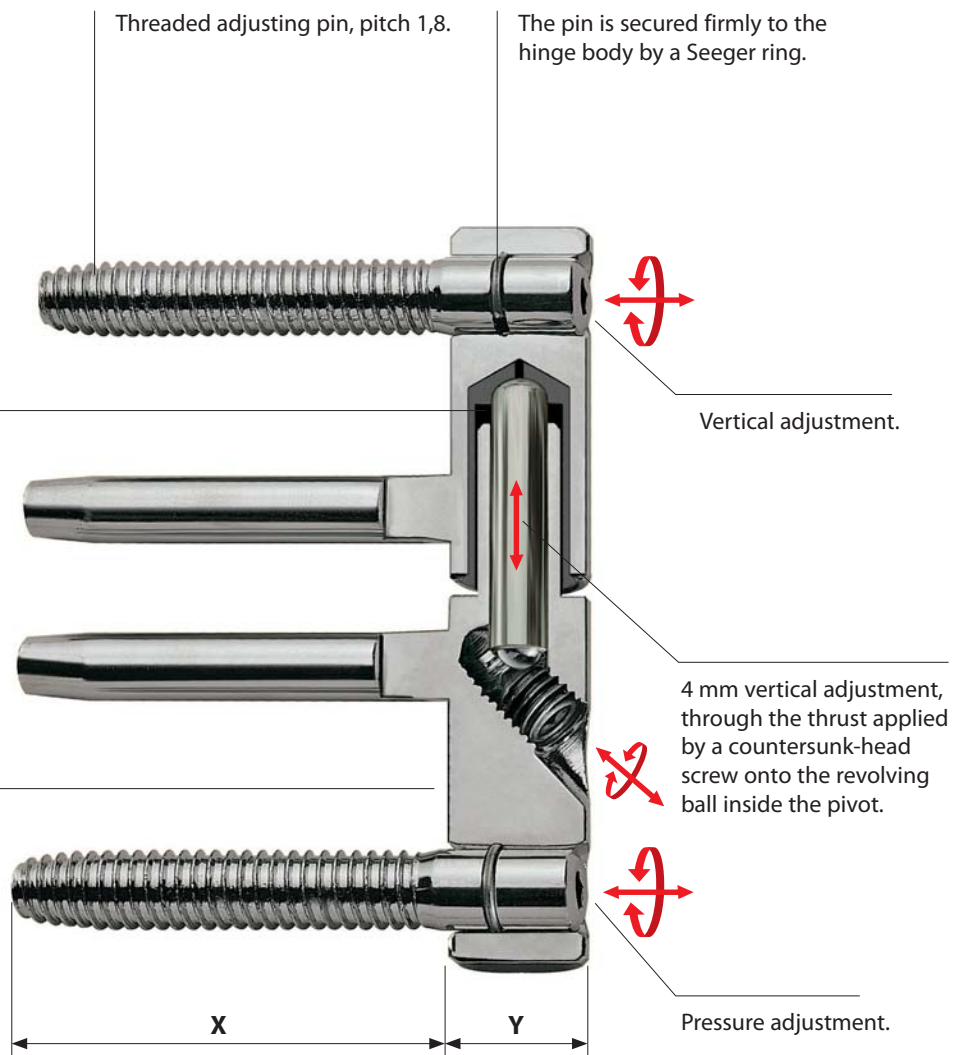
- 14 and 16 mm diameter
- 90 kg. max capacity
- Pin with revolving ball
- Certified for fire doors

### 3D Adjustable hinges for timber



Hinge hole coated with self-lubricating plastics.

For use on sashes up to 90 kg in weight (no. 3 hinges  $\varnothing 16$  for sash with dimensions 2200x850 mm and 30 kg/m<sup>2</sup> glass weight).



Y	$\varnothing 14 \times 82 \text{ h}$	$\varnothing 16 \times 82 \text{ h}$
X	39,5	48,5 - 65



Stainless steel revolving ball. Thanks to a small contact surface, this solution ensures easy sash adjustment, maximum stability and remarkably smooth hinge movement.



- Materials: steel and stainless steel plain.
- Finish: bichromated, silver finish and bronze plated.
- ABS covers: nickel plated, light bronze plated, brass plated, white RAL 9010, black, brown and silver.
- Brass covers: bronze plated, enamelled polished.
- Aluminium covers: nickel plated, light bronze plated, brass plated and matt nickel plated.
- Brass baroque style covers: bronze plated, anthracite and enamelled polished.
- Jigs for flush and rebated assembly.