

GEZE TS 5000

Guide rail door closer for 1-leaf doors up to 1400 mm leaf width

The overhead door closer TS 5000 stands for clear lines and numerous system variants. It is approved for 1-leaf right and left single-action doors with larger leaf widths up to 1400 mm and for use on smoke and fire protection doors. The closing force, size 2-6 acc. to EN 1154, the thermally stabilised closing speed, the hydraulic latching action and the back check can all easily be regulated from the front in the installed state. The set closing force can easily be checked due to the visual size indicator.

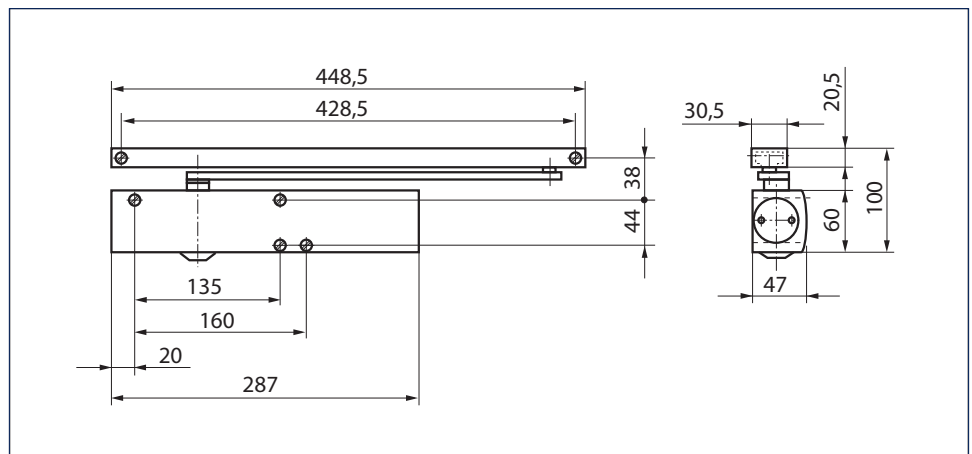
Special versions

- GEZE TS 5000 with mechanical hold-open device, freely adjustable between 80° and 130° (not permissible for use on smoke and fire protection doors)
- GEZE door closer TS 5000 S with delayed closing action adjustable from the front

GEZE TS 5000



GEZE TS 5000



Application range

- For single-action doors, leaf width up to 1400 mm
- Can be used for doors mounted on the right or left without conversion
- For fire protection doors (door closer with mounting plate)

Closer technical data

Product features	GEZE TS 5000 closer	GEZE TS 5000 S closer	GEZE TS 5000 L closer
Closing force in accordance with EN 1154		2 - 6	
Recommended leaf width up to		1400 mm	
Same version for left and right-hand doors	•	•	•
Product tested in accordance with	Door closer tested in accordance with EN 1154		
Fire protection door suitability	•	•	•
Mounting plate with hole pattern in accordance with EN1154 supplement	•	•	•
Length		287 mm	
Overall depth		47 mm	
Height		60 mm	
Functions			
Adjustable closing force		Yes, stepless	
Adjustable closing speed	•	•	•
Adjustable latching action		Yes, via valve	
Integrated back check		Yes, hydraulically adjustable	
Integrated delayed closing action	-	•	-
Position of closing force adjustment		Front	
Visual display of the closing force	•	•	•
Safety valve against wilful damage	•	•	•
Thermo-control valves	•	•	•

- = YES
- = OPTIONAL

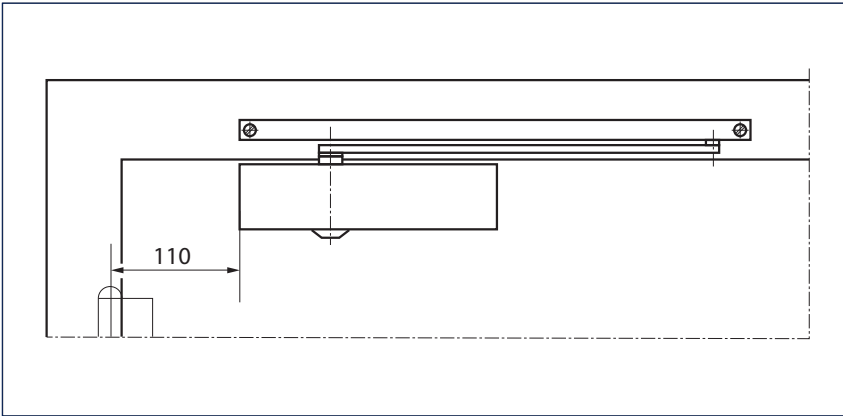
Guide rail technical data

Product features	Guide rail TS 5000/ TS 3000 vertically adjustable	Guide rail TS 5000/ TS 3000	T-Stop guide rail TS 5000/TS 3000
Length	448.5 mm	448.5 mm	452.5 mm
Overall depth	30.5 mm	30.5 mm	33 mm
Height	20.5 mm	20.5 mm	30 mm
Functions			
Integrated opening restrictor	○	○	•
Integrated hold-open device	○	○	○
Opening assistance can be switched off	○	○	○

- = YES
- = OPTIONAL

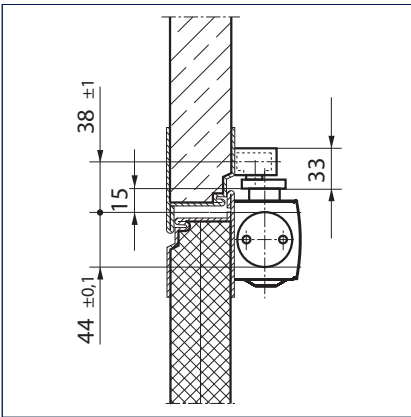
Door leaf installation/hinge side TS 5000

View

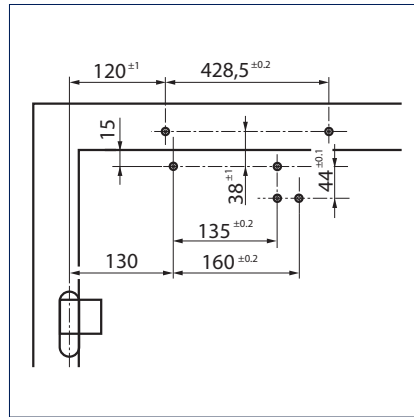


Example for installation

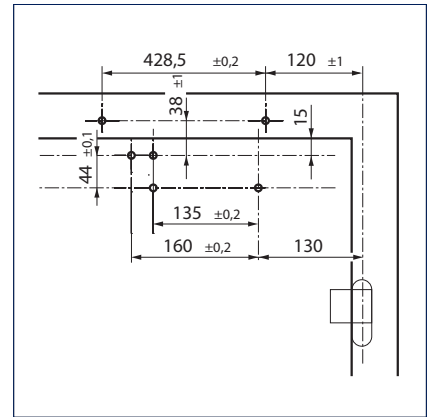
Direct installation



Cross-section = Direct installation

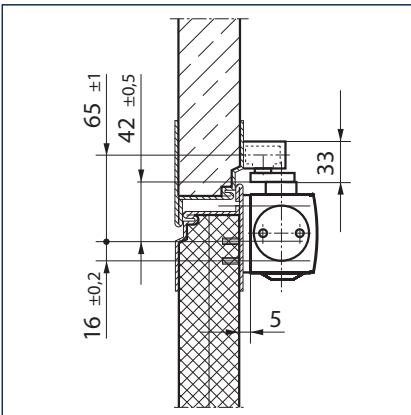


Fitting dimensions left-hand door

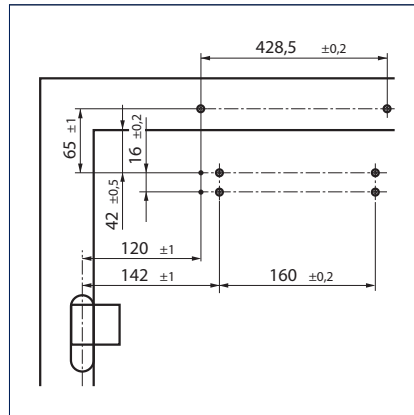


Fitting dimensions right-hand door

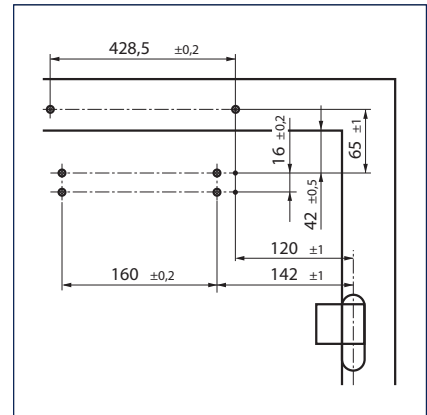
Installation with mounting plate



Cross-section = Installation with mounting plate

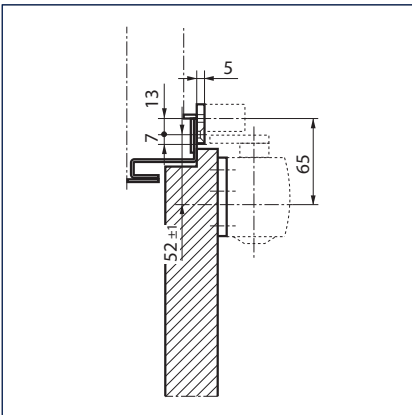


Fitting dimensions left-hand door

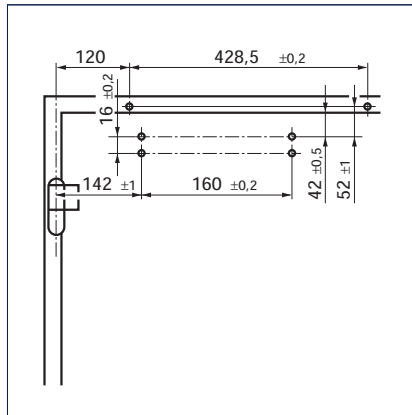


Fitting dimensions right-hand door

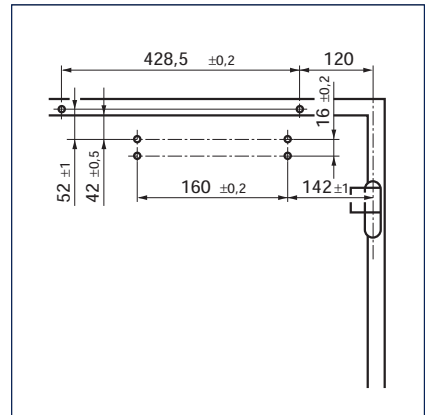
Installation on slim frames



Cross-section = Installation with mounting plate



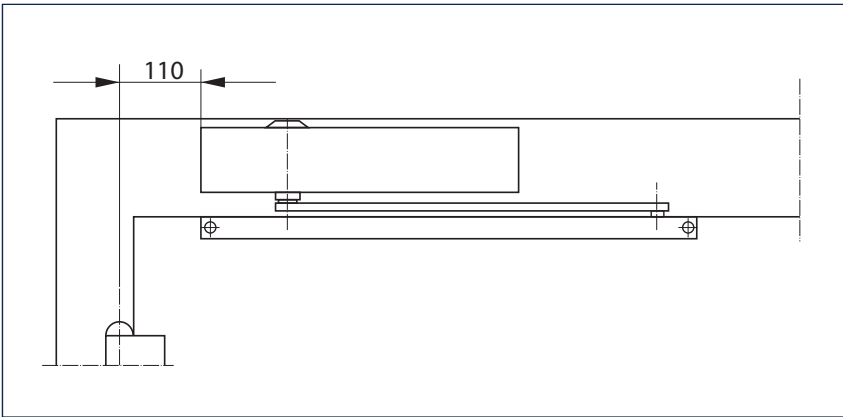
Fitting dimensions left-hand door



Fitting dimensions right-hand door

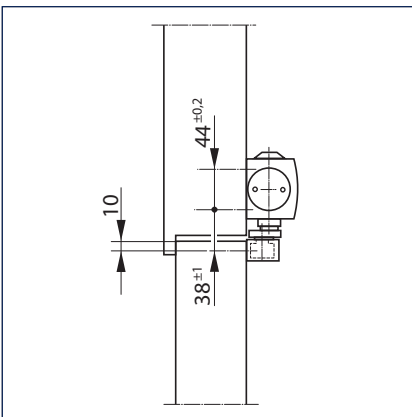
Transom installation/hinge side TS 5000 L

View

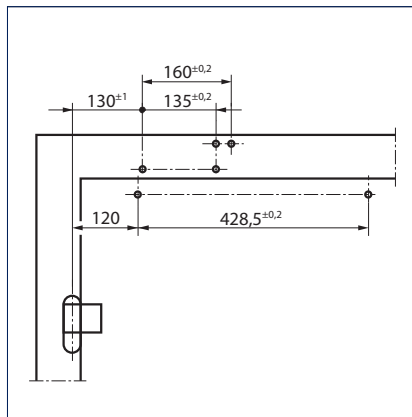


Example for installation

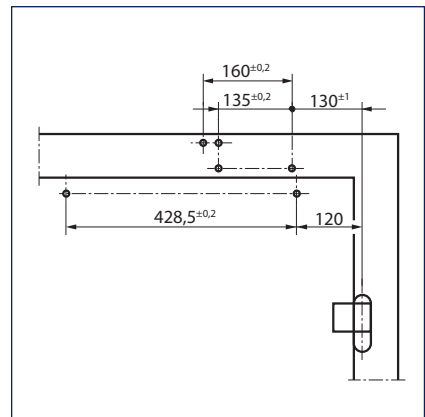
Direct installation



Cross-section = Direct installation

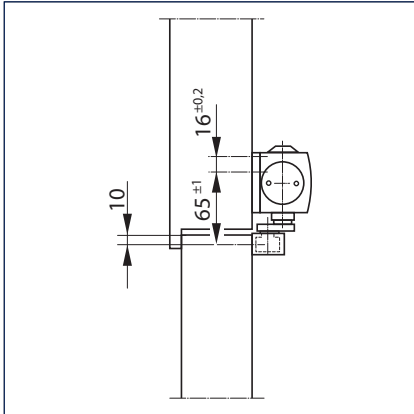


Fitting dimensions left-hand door

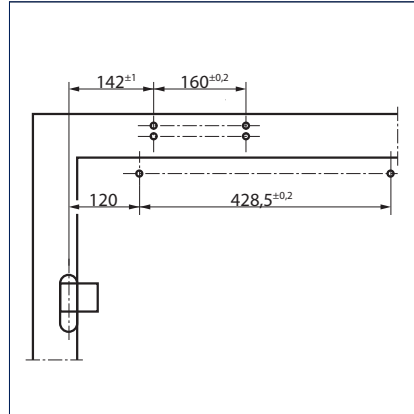


Fitting dimensions right-hand door

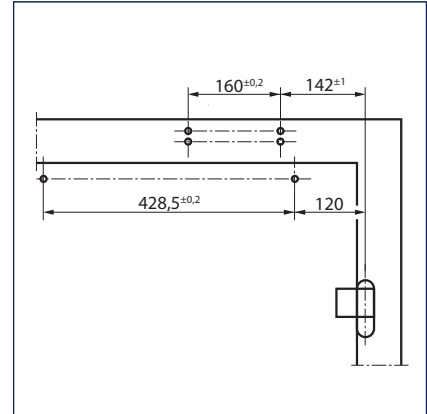
Installation with mounting plate



Cross-section = Installation with mounting plate



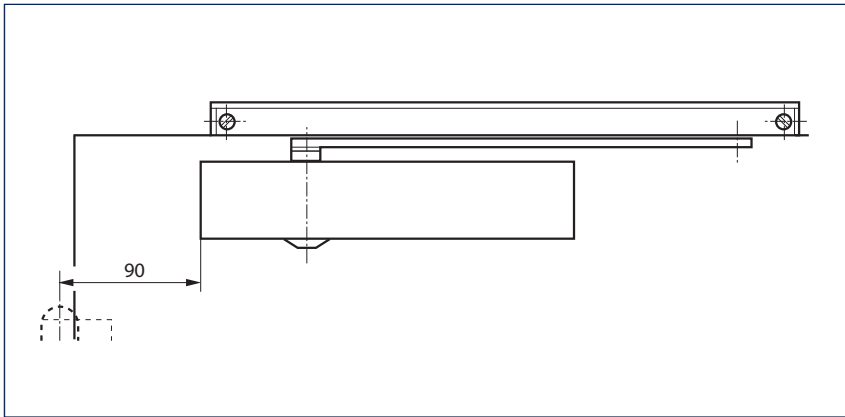
Fitting dimensions left-hand door



Fitting dimensions right-hand door

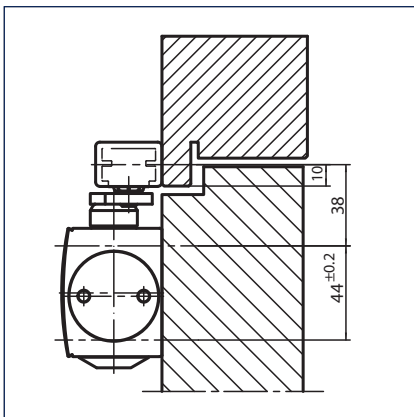
Door leaf installation/opposite hinge side TS 5000 L

View

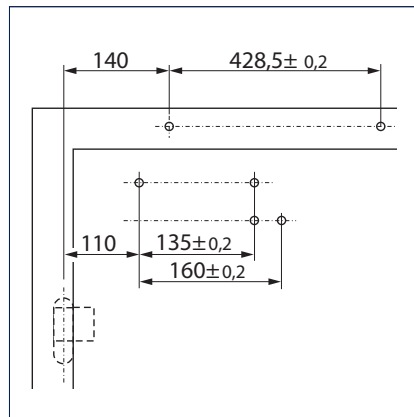


Example for installation

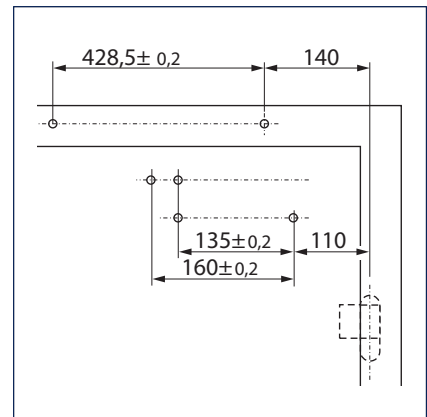
Direct installation



Cross-section = Direct installation

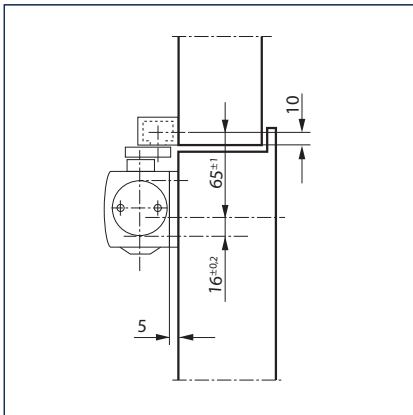


Fitting dimensions right-hand door

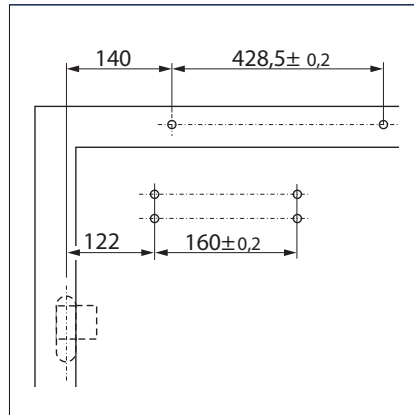


Fitting dimensions left-hand door

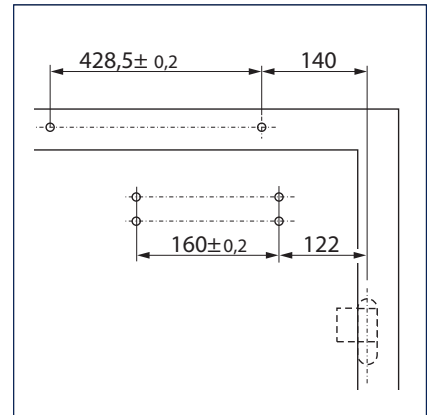
Installation with mounting plate



Cross-section = Installation with mounting plate

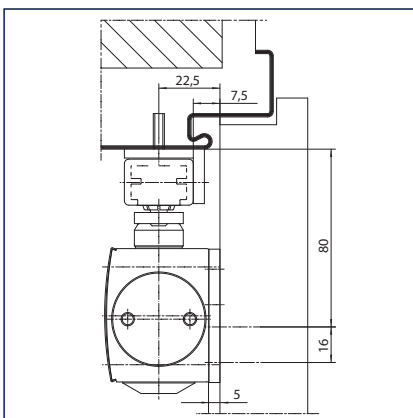


Fitting dimensions right-hand door



Fitting dimensions left-hand door

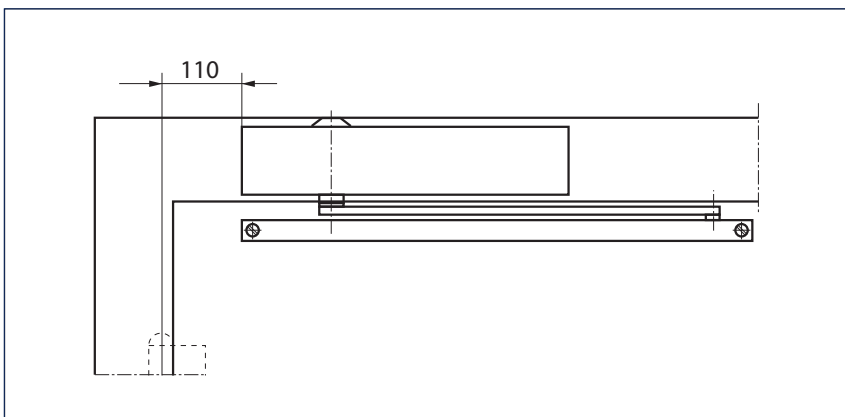
Installation with lintel casing bracket



Cross-section = Installation with mounting plate and lintel casing bracket

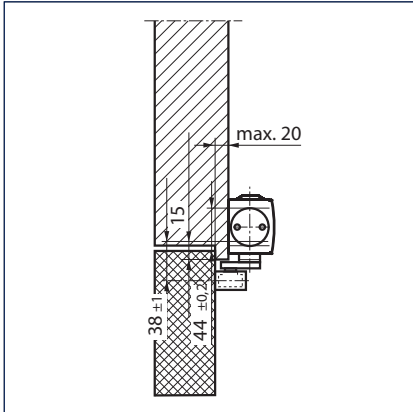
Transom installation/opposite hinge side TS 5000 (back check not effective)

View

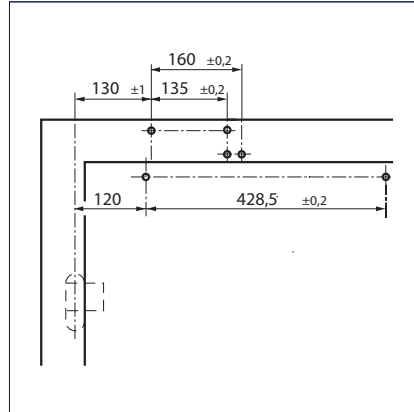


Example for installation

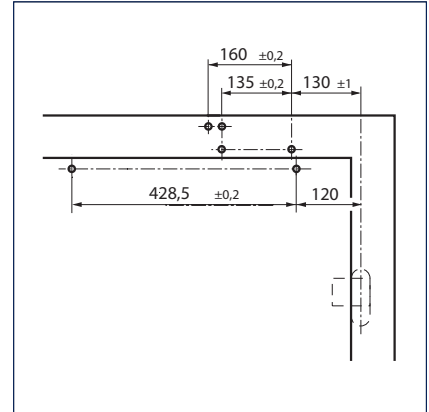
Direct installation



Cross-section = Direct installation

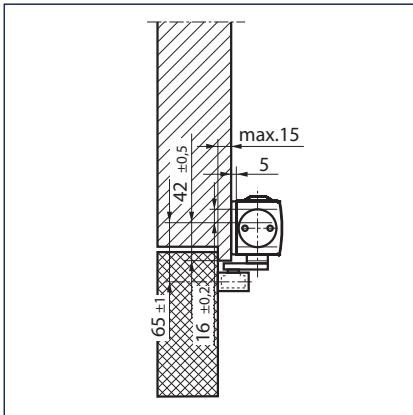


Fitting dimensions right-hand door

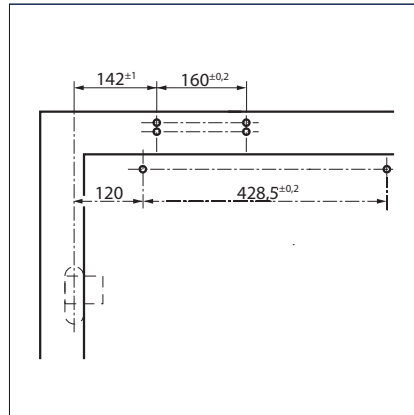


Fitting dimensions left-hand door

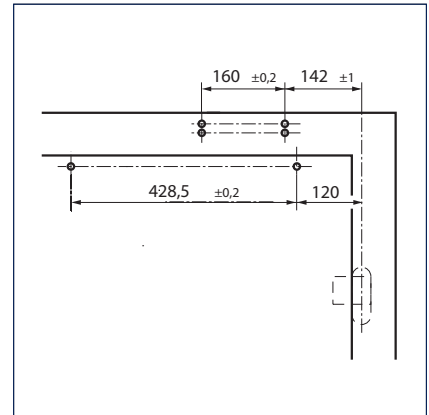
Installation with mounting plate



Cross-section = Installation with mounting plate



Fitting dimensions right-hand door



Fitting dimensions left-hand door



TS 5000, Textil- und Industriemuseum, Augsburg, Germany (Photo: Dirk Wilhelmy)

GEZE TS 5000 - Order information

Description	Version	ID.No.
GEZE TS 5000 closer Size EN 2-6, with back check (without guide rail and lever)	silver-coloured	027333
	dark bronze	027334
	white RAL 9016	027335
	stainless steel slide plate	137721
	acc. to RAL ²⁾	027336
GEZE TS 5000 S closer Size EN 2-6, with delayed closing action and back check (without guide rail and lever)	silver-coloured	107935
	dark bronze	107936
	white RAL 9016	107937
	stainless steel slide plate	137722
	acc. to RAL ²⁾	107938
GEZE TS 5000 L closer Size EN 2-6, with back check (without guide rail and lever)	silver-coloured	027351
	dark bronze	029399
	white RAL 9016	029400
	stainless steel slide plate	137723
	acc. to RAL ²⁾	027352
Guide rail TS 5000/TS 3000 vertically adjustable Height compensation +/- 2 mm, with lever	silver-coloured	115191
	acc. to RAL ²⁾	115192
Guide rail TS 5000/TS 3000 Standard, with lever	silver-coloured	068221
	dark bronze	068222
	white RAL 9016	015695
	simulated stainless steel ¹⁾	014945
	acc. to RAL ²⁾	000773
T-Stop guide rail TS 5000/TS 3000 with integrated opening restrictor and lever	silver-coloured	102363
	white RAL 9016	108481
	simulated stainless steel ¹⁾	102364
	acc. to RAL ²⁾	102365
Guide rail BG TS 5000/TS 3000 vertically adjustable Height compensation +/- 2 mm, with lever, use with closer on leaf installation on the opposite hinge side	silver-coloured	115193
	acc. to RAL ²⁾	115194
Guide rail BG TS 5000/TS 3000 Standard, with lever, use with closer on leaf installation on the opposite hinge side	silver-coloured	025655
	white RAL 9016	029404
	simulated stainless steel ¹⁾	028732
	acc. to RAL ²⁾	025656
T-Stop guide rail BG TS 5000/TS 3000 with integrated opening restrictor and lever, use with closer on leaf installation on the opposite hinge side or with pivot bearing in leaf and transom installation opposite hinge side	silver-coloured	102366
	white RAL 9016	108482
	simulated stainless steel ¹⁾	102367
	acc. to RAL ²⁾	102368
Installation materials		
Door closer drilling template for TS 5000/TS 4000/TS 3000/TS 2000		053134
	silver-coloured	057126
Glass clamping shoe door closer for TS 5000/TS 4000	dark bronze	057127
	white RAL 9016	009491
	acc. to RAL ²⁾	009494

Description	Version	ID.No.
Mounting and counterplate for all-glass door for TS 5000/TS 4000	silver-coloured	007923
	dark bronze	007924
	acc. to RAL ²⁾	007926
Guide rail mounting plate for standard / ECLine / T-Stop / EFS guide rail	silver-coloured	001512
	white RAL 9016	129252
	acc. to RAL ²⁾	104515
Mounting plate door closer for TS 5000/TS 4000 with hole pattern in accordance with DIN EN 1154 Supplement 1	silver-coloured	049185
	dark bronze	052351
	white RAL 9016	068627
	galvanised	057956
Lintel casing bracket transom installation BG for TS 5000/TS 4000	acc. to RAL ²⁾	029176
	silver-coloured	049240
	dark bronze	052352
Mounting plate guide rail BG for standard / ECLine / T-Stop / EFS guide rail	acc. to RAL ²⁾	104451
	silver-coloured	124683
Lintel casing bracket guide rail BG for standard guide rail	acc. to RAL ²⁾	124684
	silver-coloured	025657
	dark bronze	030033
	white RAL 9016	030034
	simulated stainless steel ¹⁾	028393
Lintel casing bracket guide rail BG for ECLine and T-Stop guide rail	acc. to RAL ²⁾	025658
	silver-coloured	115006
Lintel casing bracket guide rail BG for ECLine and T-Stop guide rail	acc. to RAL ²⁾	115007
Accessories		
Door closer cover cap for TS 5000/TS 5000 L/TS 4000, can only be used for door leaf installation	silver-coloured	067724
	dark bronze	067725
	white RAL 9016	067726
	stainless steel	072696
	brass	072698
	acc. to RAL ²⁾	000756
Mechanical hold-open device for Standard / T-Stop / Boxer 20.7 mm guide rail, adjustable retention force, can be switched on and off, can be overridden		071924
Flexible opening restrictor for lightweight doors for riveted guide rail, standard guide rail BG and Boxer 20.7 mm guide rail		069780

1) Only for dry rooms

2) Surcharge for RAL special colours, see General Information in the Price List.