

## GEZE TS 4000

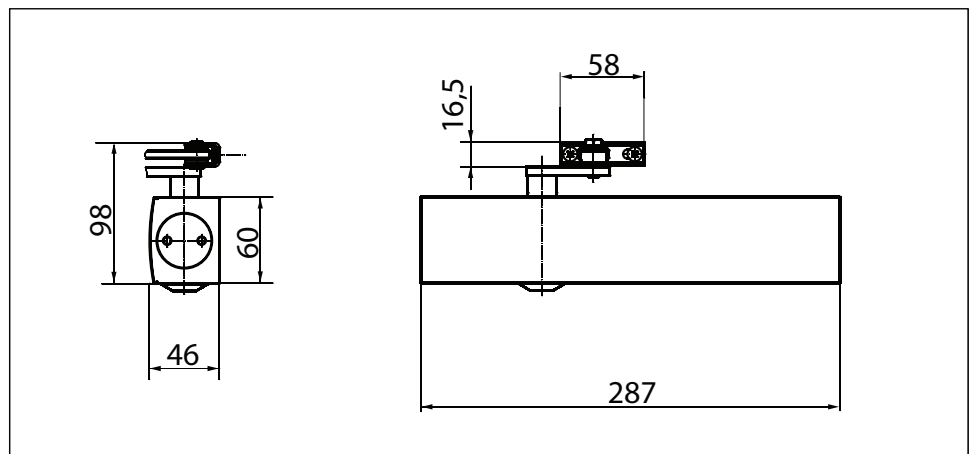
### Link arm door closer for single-leaf doors with a leaf width up to 1400 mm

TS 4000 overhead door closer is approved for use with left and right single-action doors with leaf widths up to 1400 mm (without any need for conversion) and for mounting on fire and smoke protection doors. The closing force to EN 1154 size 1-6 is infinitely variable from the front and is easy to monitor thanks to the optical size indicator. The back check and thermo-constant closing speed are also adjustable from the front; the latching action is adjusted by means of the link arm. The closer features a safety valve for both the open and close directions.

#### Special versions:

- GEZE TS 4000 with hold-open linkage  
hold-open angle up to 150° (must not be used on fire and smoke protection doors)
- GEZE TS 4000 S  
with delayed closing action of up to 30 seconds, adjustable from the front (delayed closing action not effective with transom installation on opposite hinge side).
- GEZE TS 4000 door closer, wet room version  
same as TS 4000, but with specially nickel-plated spindle, bearing shells and stainless steel screw accessories for aggressive environments.

## GEZE TS 4000



#### Application range

- For single-action doors, leaf width up to 1400 mm
- Compatible with left-hand and right-hand doors without the need for conversion
- For fire protection doors (door closers with mounting plate)
- Standard installation on door leaf, hinge side; transom installation on opposite hinge side also possible
- Can be installed on door leaf on opposite hinge side with parallel arm mounting

**Closer technical data**

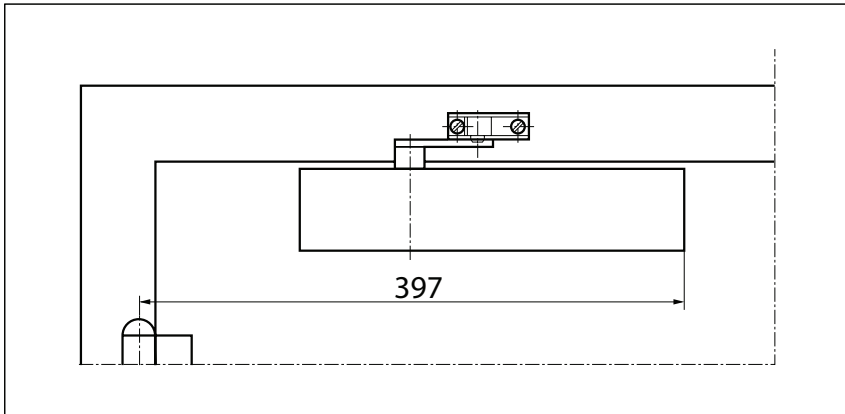
Product features	GEZE TS 4000 closer	GEZE TS 4000 S closer
Closing force in accordance with EN 1154		1 - 6
Leaf width recommended up to		1400 mm
Identical version DIN-L and DIN-R	●	●
Product tested in acc. with	Door closer tested in acc. with EN 1154	
Suitable for fire protection doors	●	●
Mounting plate with hole pattern acc. to EN 1154 Supplement 1	●	●
Length		287 mm
Installation depth		46 mm
Height		60 mm
<b>Functions</b>		
Adjustable closing force		● with variable adjustment
Adjustable closing speed	●	●
Adjustable latching action	● via link arm	● via valve
Integrated back check		● hydraulically adjustable
Integrated delayed closing action		●
Closing force adjustment position		Front
Optical closing force display	●	●
Safety valve as protection against vandalism	●	●
Thermo-constant valves	●	●

● = yes

○ = no

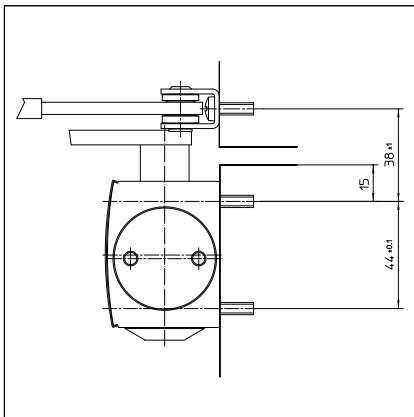
Door leaf installation/hinge side TS 4000

View

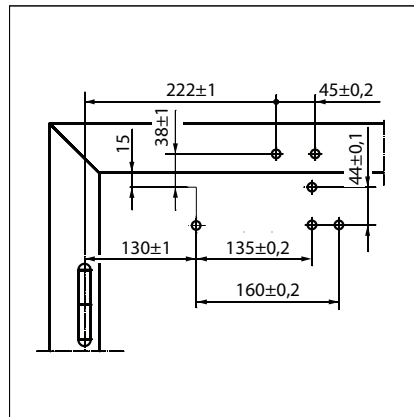


Installation example for GEZE TS 4000 1-6, TS 4000 S, TS 4000 wet room

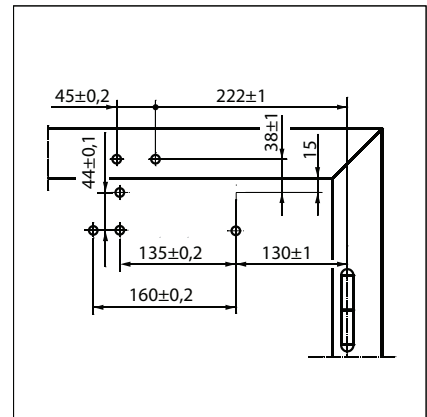
Direct installation



Cross section = direct installation

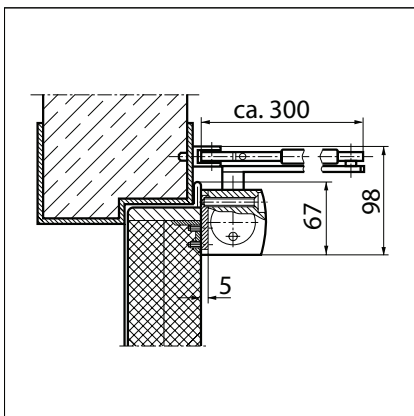


Fitting dimensions for left-hand door

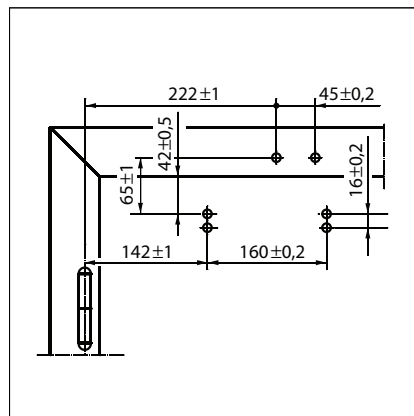


Fitting dimensions for right-hand door

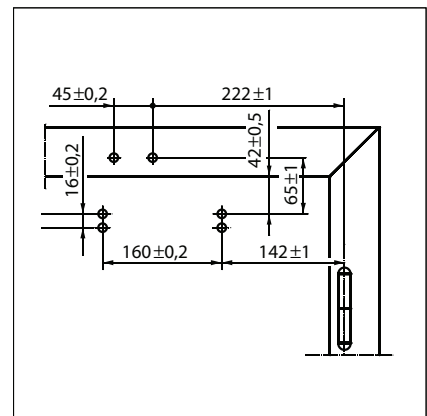
Installation with mounting plate



Cross section = installation with mounting plate



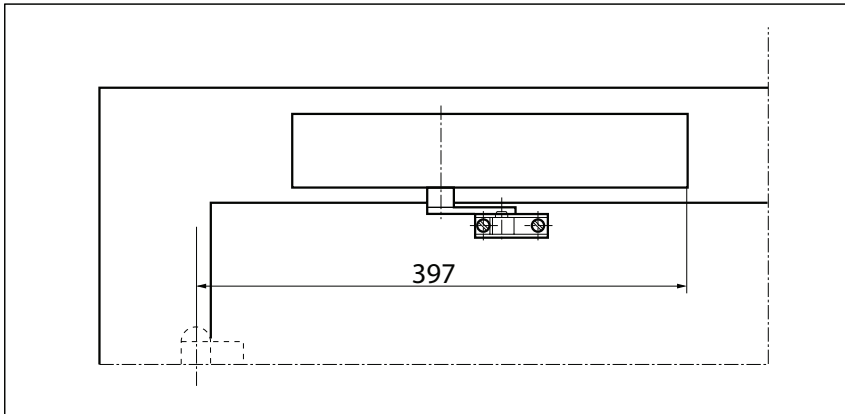
Fitting dimensions for left-hand door



Fitting dimensions for right-hand door

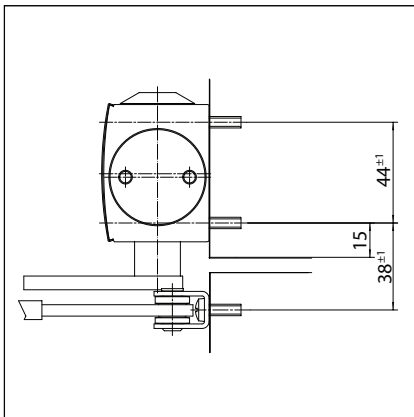
**Transom installation/opposite hinge side TS 4000**

View

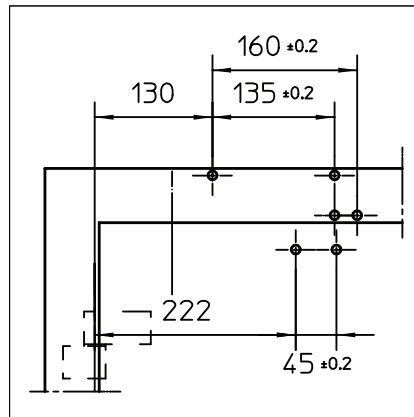


Installation example for GEZE TS 4000 1-6, TS 4000 S, TS 4000 wet room

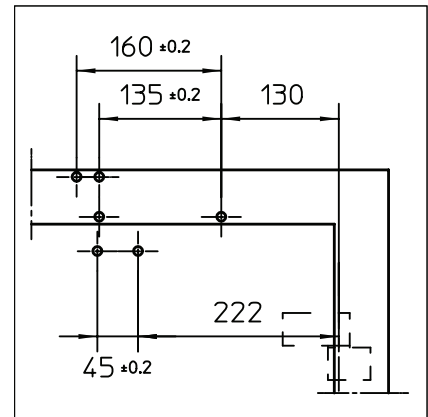
**Direct installation**



Cross section = direct installation

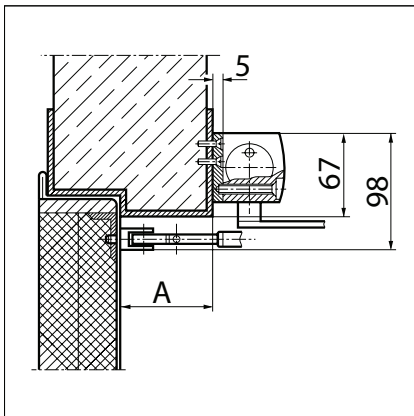


Fitting dimensions for right-hand door

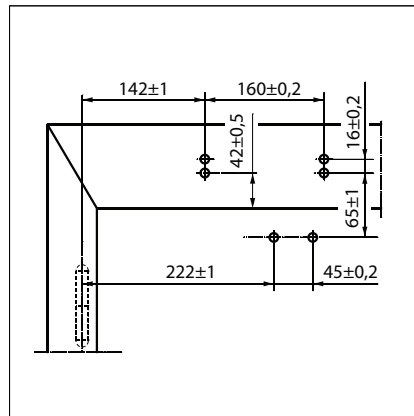


Fitting dimensions for left-hand door

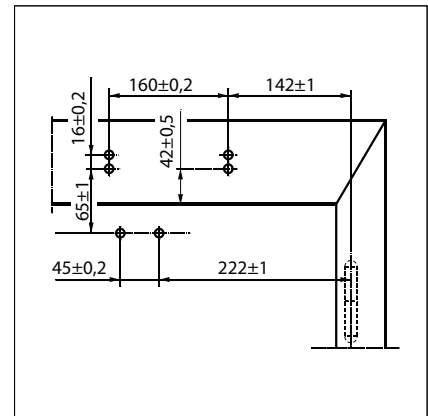
**Installation with mounting plate**



Cross section = installation with mounting plate  
A = max. 70 mm lintel depth with fire and smoke protection doors



Fitting dimensions for right-hand door



Fitting dimensions for left-hand door

## GEZE TS 4000 – Order information

Designation	Version	ID.No.
GEZE TS 4000 closer Size EN 1-6 with back check (without link arm)	silver-coloured	102789
	dark bronze	102790
	white RAL 9016	102791
GEZE TS 4000 S closer Size EN 1-6 with delayed closing action and back check (without link arm)	acc. to RAL <sup>2)</sup>	102792
	silver-coloured	107745
	dark bronze	107746
Link arm TS 4000/2000 <sup>3)</sup> With mechanical hold-open device	white RAL 9016	107747
	acc. to RAL <sup>2)</sup>	107748
	silver-coloured	102454
Link arm TS 4000/2000 <sup>3)</sup> With mechanical hold-open device that can be switched on and off	dark bronze	102455
	white RAL 9016	102456
	acc. to RAL <sup>2)</sup>	102457
Link arm TS 4000/2000 <sup>3)</sup> With mechanical hold-open device that can be switched on and off	silver-coloured	102445
	dark bronze	102446
	white RAL 9016	102447
Link arm TS 4000/2000 Extended, for transom installation with a reveal depth of 70-170 mm	acc. to RAL <sup>2)</sup>	102448
	silver-coloured	102431
	dark bronze	102432
Link arm TS 4000/2000 Standard	white RAL 9016	102433
	acc. to RAL <sup>2)</sup>	102434
	silver-coloured	102421
GEZE TS 4000 wet room version complete package Size EN 1-6 with back check, special protection against corrosion with stainless steel screw accessories and standard link arm	dark bronze	102422
	white RAL 9016	102423
	simulated stainless steel <sup>1)</sup>	102426
	acc. to RAL <sup>2)</sup>	102425
	silver-coloured	120104

1) Only suitable for dry rooms

2) Surcharge for special RAL colours, see general information

3) Not approved for fire and smoke protection doors in Germany

**Installation material**

Spindle extension for TS 4000/TS 2000 Crown type connection	10 mm	galvanised	103548
	10 mm	black	103677
	15 mm	galvanised	103549
	15 mm	black	103678
	20 mm	galvanised	103550
	20 mm	black	103679
Door closer drilling template For TS 5000/4000/3000/2000			053134
Glass clamping plate for door closer For TS 5000/TS 4000		silver-coloured	057126
		dark bronze	057127
		white RAL 9016	009491
		acc. to RAL <sup>2)</sup>	009494
All-glass door mounting and counter plate For TS 5000/TS 4000		silver-coloured	007923
		dark bronze	007924
		acc. to RAL <sup>2)</sup>	007926
Link arm mounting plate For TS 4000/2000, with narrow rebates		silver-coloured	057109
		acc. to RAL <sup>2)</sup>	082506
Link arm mounting plate For TS 4000/2000, with parallel arm mounting		silver-coloured	053318
		dark bronze	053319
		acc. to RAL <sup>2)</sup>	027460
Mounting plate for segmental arch door For TS 4000, max. arch height 130 mm		silver-coloured	058782
		dark bronze	058783
		acc. to RAL <sup>2)</sup>	119472
Door closer mounting plate For TS 5000/4000 with hole pattern acc. to DIN EN 1154 Supplement 1		silver-coloured	049185
		dark bronze	052351
		white RAL 9016	068627
		galvanised	057956
		acc. to RAL <sup>2)</sup>	029176
Lintel casing bracket for transom installation opposite hinge side For TS 5000/TS 4000		silver-coloured	049240
		dark bronze	052352
		acc. to RAL <sup>2)</sup>	104451
<b>Accessories</b>			
Door closer cover cap For TS 5000/TS 4000, only suitable for door leaf installation		silver-coloured	067724
		dark bronze	067725
		white RAL 9016	067726
		brass	072698
		stainless steel	072696
		acc. to RAL <sup>2)</sup>	000756

2) Surcharge for special RAL colours, see general information

## GEZE TS 4000 size 5-7

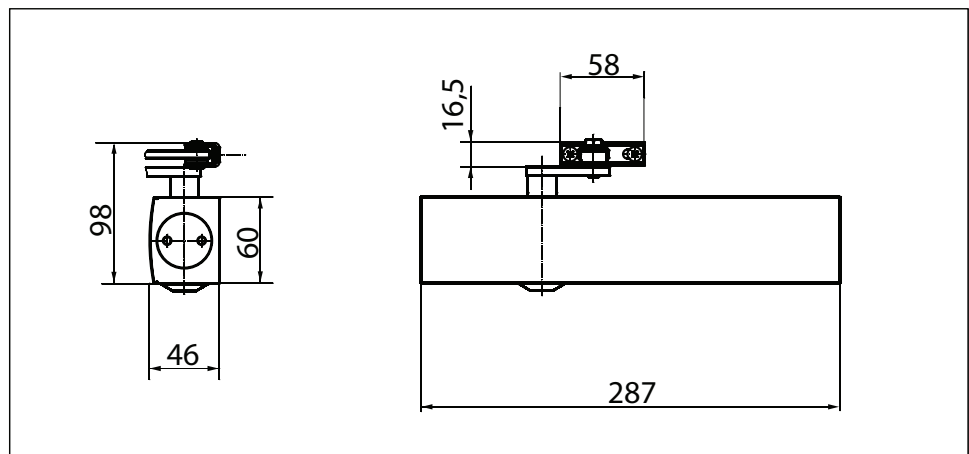
### Link arm door closer for single-leaf doors with a leaf width up to 1600 mm

TS 4000 overhead door closer is approved for use with left and right single-action doors with leaf widths up to 1600 mm (without any need for conversion) and for mounting on fire and smoke protection doors. The closing force to EN 1154 size 5-7 is infinitely variable from the front and is easy to monitor thanks to the optical size indicator. The back check and thermo-constant closing speed are also adjustable from the front; the latching action is adjusted by means of the link arm. The closer features a safety valve for both the open and close directions.

#### Special versions:

- GEZE TS 4000 with hold-open linkage  
hold-open angle of up to 150° (must not be used on fire and smoke protection doors, hold-open mechanism only effective up to size EN 6)

### GEZE TS 4000 size 5-7



#### Application range

- For single-action doors, leaf width up to 1600 mm
- Compatible with left-hand and right-hand doors without the need for conversion
- For fire protection doors (door closers with mounting plate)
- Standard installation on door leaf, hinge side; transom installation on opposite hinge side also possible
- Can be installed on door leaf on opposite hinge side with parallel arm mounting

**Closer technical data**

<b>Product features</b>	<b>GEZE TS 4000 closer</b>
Closing force in accordance with EN 1154	5 - 7
Leaf width recommended up to	1600 mm
Identical version DIN-L and DIN-R	●
Product tested in acc. with	Door closer tested in acc. with EN 1154
Suitable for fire protection doors	●
Mounting plate with hole pattern acc. to EN 1154 Supplement 1	●
Length	287 mm
Installation depth	46 mm
Height	60 mm
<b>Functions</b>	
Adjustable closing force	● with variable adjustment
Adjustable closing speed	●
Adjustable latching action	● via link arm
Integrated back check	● hydraulically adjustable
Closing force adjustment position	Front
Optical closing force display	●
Safety valve as protection against vandalism	●
Thermo-constant valves	●

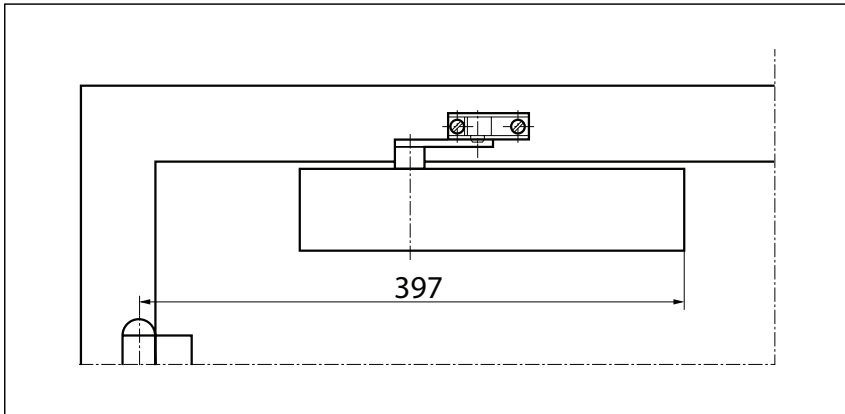
● = yes

○ = no



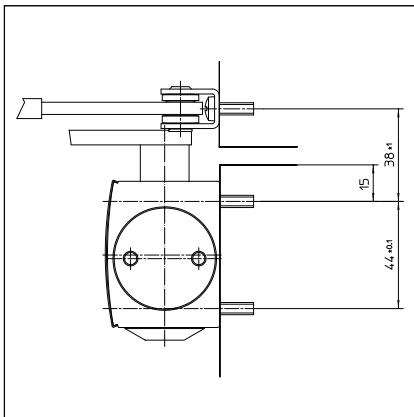
Door leaf installation/hinge side TS 4000 size 5-7

View

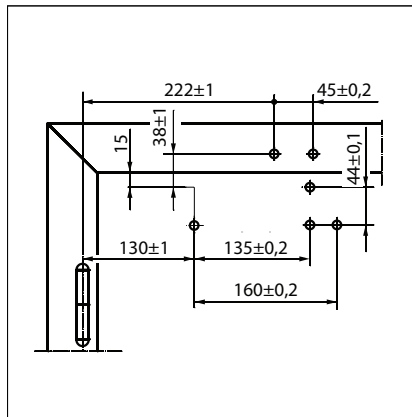


Installation example for GEZE TS 4000 5-7

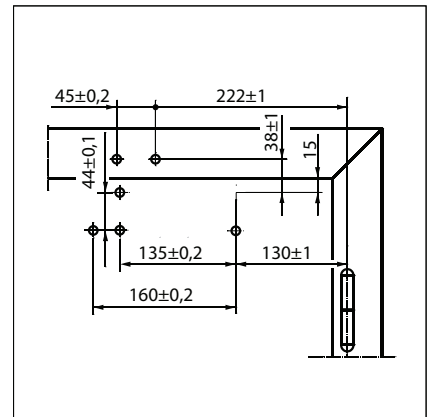
Direct installation



Cross section = direct installation

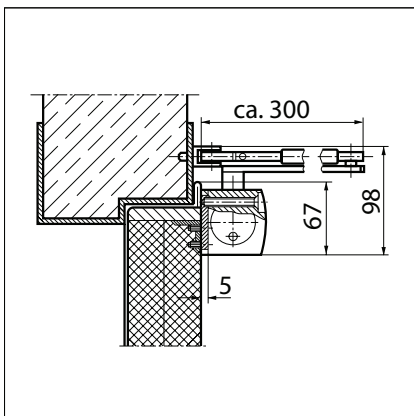


Fitting dimensions for left-hand door

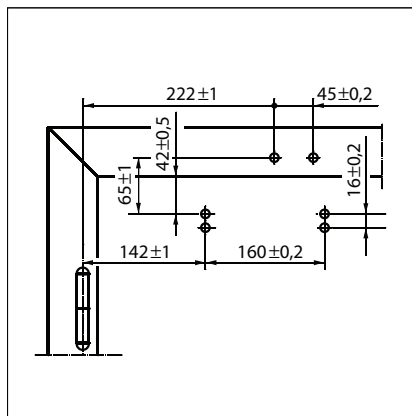


Fitting dimensions for right-hand door

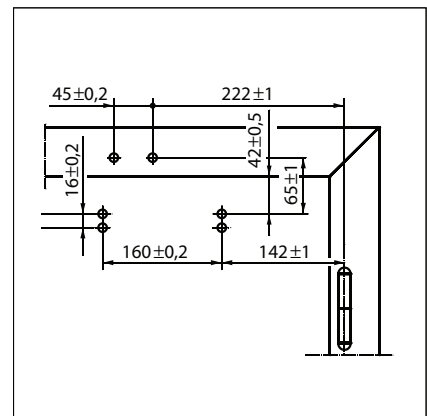
Installation with mounting plate



Cross section = installation with mounting plate



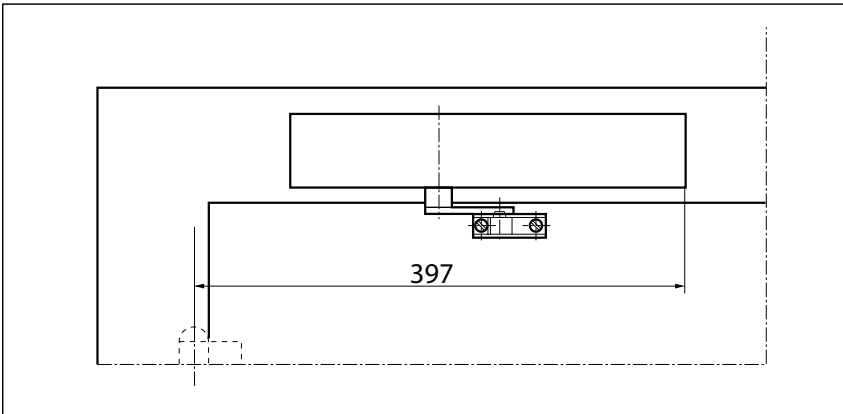
Fitting dimensions for left-hand door



Fitting dimensions for right-hand door

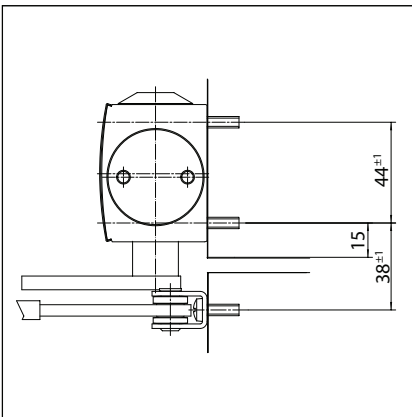
**Transom installation/opposite hinge side TS 4000 size 5-7**

View

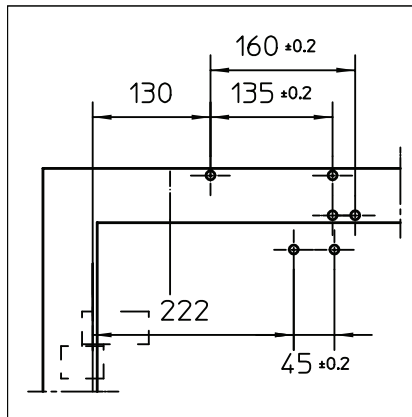


Installation example for GEZE TS 4000 5-7

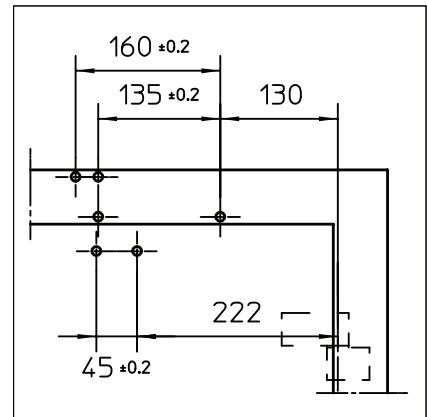
**Direct installation**



Cross section = direct installation

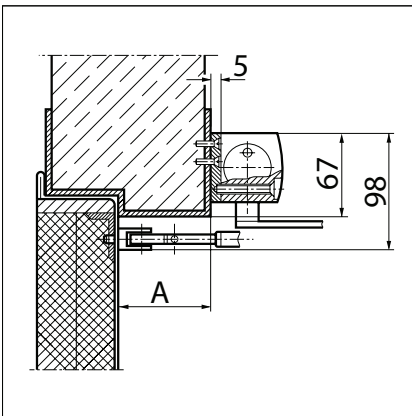


Fitting dimensions for right-hand door

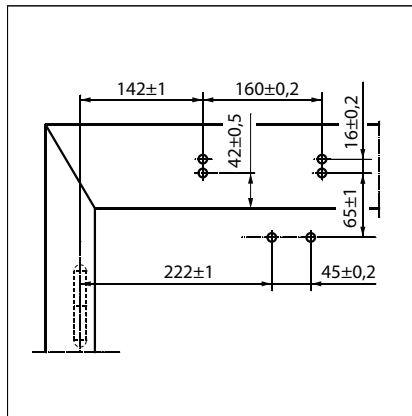


Fitting dimensions for left-hand door

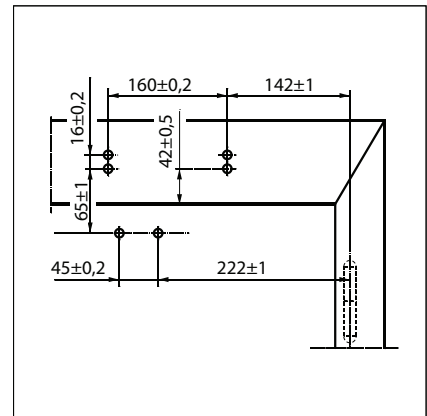
**Installation with mounting plate**



Cross section = installation with mounting plate  
A = max. 70 mm lintel depth with fire and smoke protection doors



Fitting dimensions for right-hand door



Fitting dimensions for left-hand door