

LCN 4041 Series — Heavy Duty

The LCN 4041 Series is a non-handed surface mounted door closer. A wide choice of options, mounting accessories and ease of installation offer maximum versatility.

The LCN 4041 Series is a heavy duty door closer designed to be used on aluminium, hollow metal or wood swinging commercial interior/exterior doors and is ideally suited for hospitals, educational, institutional and other high traffic applications.



Pictured: LCN 4041 - Standard Cover

Performance Features

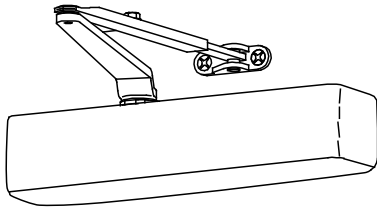
- Universal, fully reversible, non-handed door closer.
- Closer cylinder constructed of high strength cast iron for extra durability.
- Tested to 10,000,000 cycles.
- Fully adjustable 1-6 spring strength to suit door size and site conditions.
- Shipped set to size 3.
- Standard closer offers 3 installation options.
 - Regular (Pull side)
 - Top Jamb (Pull side)
 - Parallel Arm (Push side)
- Independent adjustment valves for adjusting backcheck, closing and latching speeds.
- All adjustment valves are concealed behind the cover to prevent tampering.
- Joints in arms and shoe brackets adapt to uneven mounting surfaces.
- Fast adjust dial (fast accurate spring tension) to help installers accurately adjust the closer to match the conditions of the application. As spring power is adjusted, the size appears on the face of the dial.
- Stick-on template for fast, accurate installation. Cuts installation time in half.
- Closers installed according to LCN installation instructions require minimal periodic maintenance or adjustments.
- Fire Rating: Refer to Appendix.

Specification Guide

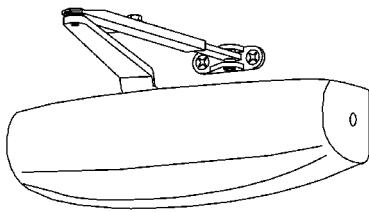
LCN4041	R	AL
Series	Function	Finish
LCN 4041 Series LCN4041	Regular R Hold Open HO	Aluminium AL Satin Stainless Steel SSS Polished Stainless Steel PSS

1. Series
Select the desired Series
 e.g. LCN 4041 Series LCN4041
2. Function
Select the required function LCN4041R
3. Finish
Select the desired finish
 e.g. Aluminium LCN4041RAL

LCN 4041 Series



Pictured: LCN 4041 - Standard Cover



Pictured: LCN 4041 - Designer Cover

Specifications	
Door Type	Timber or Metal
Door Size	External Door 610mm - 1219mm Internal Door 610mm - 1524mm
Applications	Regular - Pull Side Mount Parallel Arm - Push Side Mount Top Jamb - Push Side Mount
Adjustment Controls	Closing Speed Latching Speed Backcheck
Strength	1-6 Adjustable
Options	Hold Open Arm Adaptor Plate Parallel Arm Drop Plate Square Metal Cover
Finish	Aluminium Satin Stainless Steel Polished Stainless Steel
Warranty	10 Years

Closer Strength Selection Chart

Select strength based on width of door

Strength	Exterior Door	Interior Door
2	NA	610mm - 864mm
3	610mm - 762mm	864mm - 965mm
4	762mm - 914mm	965mm - 1219mm
5	914mm - 1067mm	1219mm - 1372mm
6	1067mm - 1219mm	1372mm - 1524mm

Closer Strengths



Caution!

Note:

The LCN 4041 is designed for reduced opening force which when set to a 1 strength makes it suitable for use by people who are frail, aged or disabled. This closer can operate at between 14-20Nm from initial opening up to 90°.

Where door closers are installed and adjusted to meet reduced opening force requirements, there may be insufficient power to reliably close and latch the door, depending on prevailing operating conditions.

In areas of high wind pressure and/or air conditioning pressures LCN Automatic Door Operators are recommended.

LCN 4041 Series

Regulating Controls

The LCN 4041 has independent regulators to control:

Closing speed:	Adjustment to increase or decrease the speed at which the door closes. This allows the appropriate momentum to close the door in a safe and secure manner. Closing speed adjustment operates from the maximum opening to 15°.
Latching speed:	The latching speed allows the door to close quietly and firmly. It can be adjusted to increase or decrease the speed at which the door finally closes. This assists the final stage of the closing cycle to help overcome stubborn latch bolts or air pressure conditions. Alternatively the latching speed can be decreased to cushion the door into the frame. The latching speed adjustment operates from 15° to closing.
Backcheck:	Adjustable hydraulic backcheck provides a cushioning effect when the door is forcibly thrown open to prevent damage to the closer, door and frame. The backcheck adjustment allows the level of resistance in the latter stage of opening to be set at the level required. Backcheck is effective from 75°. Backcheck is a requirement for all fire rated closers.
Power Adjustment:	Spring strength may be increased or decreased by turning the allen head screw located in the end of the door closer body.

Functions

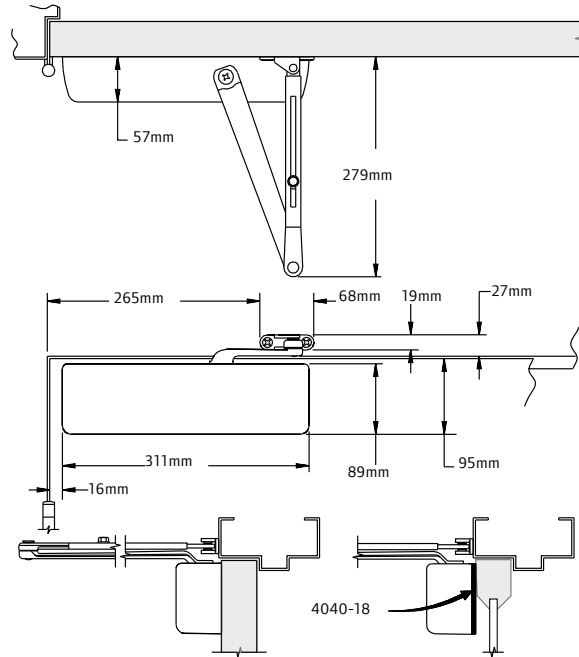
Regular:	For applications where the door must fully close after each opening.
Hold-Open:	Suitable for doors where the door may need to be left in a hold-open position. The hold-open function can be set to hold-open at a single point. Hold-open closers can not be used on fire doors.
Cush-N-Stop:	Used predominantly on outward swinging doors in situations where it is not practical to fit a door stop. The Cush-N-Stop function has a built in stop incorporated into the arm to prevent damage to the closer, door or frame in the event of an abrupt stop. It is recommended that metal door frames be reinforced where the arm attaches to the transom. Maximum door opening 100°.
Hold-Open Cush-N-Stop:	Provides the same function as the Cush-N-Stop, but has the added feature of a hold-open function in the arm, which is engaged/disengaged by a tee handle. Maximum door opening 100°.

LCN 4041 Series

Mounting Details – Standard Cover

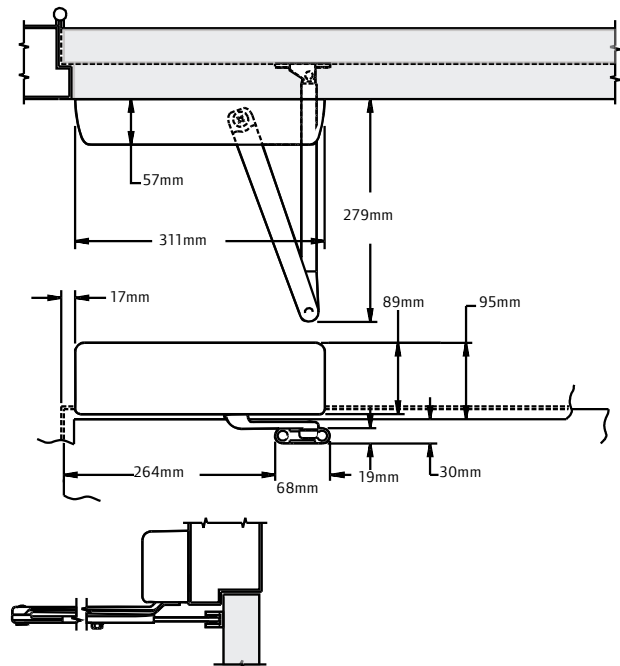
Regular (Pull Side) Mounting

Regular mounting has a maximum opening of 120°. The hold-open arm allows the door to be set at a hold-open point between 85° to 120°. The reveal should not exceed 19mm for a regular or hold-open arm. Top rail less than 95mm requires Adaptor Plate. Adaptor Plate requires a 51mm minimum top rail. Clearance of 70mm behind door is required for 90° installation.



Top Jamb (Push Side) Mounting

Top jamb mounting has a maximum opening of 120°. The hold-open arm allows the door to be set at a hold-open point between 85° to 120°. A reveal of 65mm for regular and hold-open arms allows a 120° opening. Top rail requires 32mm minimum. Head frame requires 89mm minimum.

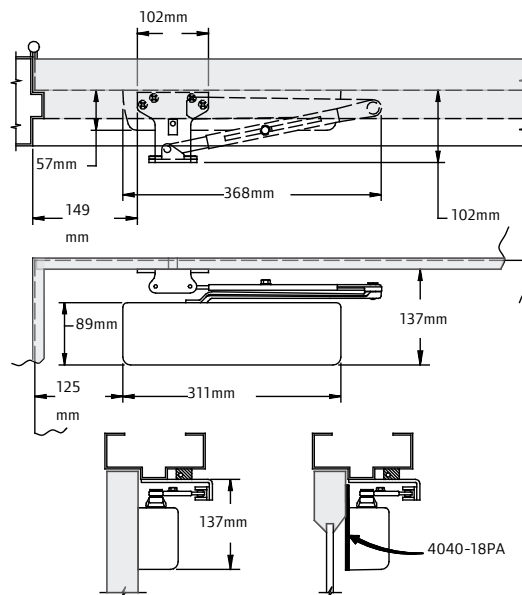


LCN 4041 Series

Mounting Details – Standard Cover

Parallel Arm (Push Side) Mounting

Parallel arm mounting has a maximum opening of 180°. The hold-open arm allows the door to be set at one given hold-open point up to the maximum opening. Clearance for the PA Shoe is 102mm from door face. Top rail less than 140mm measured from the stop requires Drop Plate. The Drop Plate requires a 51mm minimum from the stop. Minimum stop width is 25mm. Blade stop clearance requires 13mm Blade Stop Spacer. When installing closers in parallel arm configuration, strength may be needed to be adjusted upwards to compensate for power reduction.

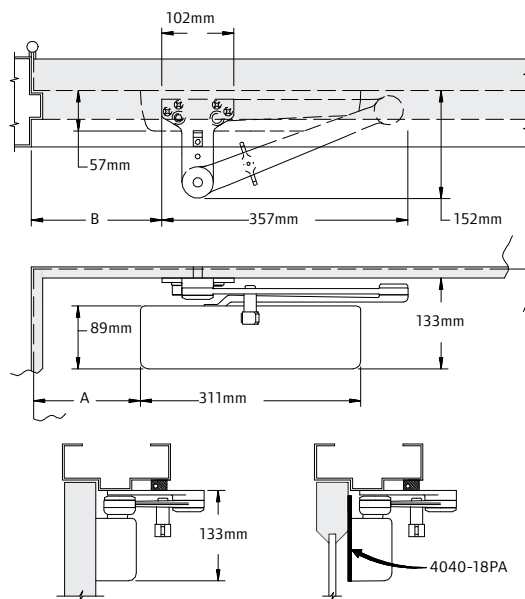


Cush-N-Stop (Pull Side) Mounting

Cush arms can be templated for the following maximum opening/hold-open points:

1. 85° - A = 202mm & B = 232mm
2. 90° - A = 183mm & B = 216mm
3. 100° - A = 154mm & B = 184mm
4. 110° - A = 129mm & B = 162mm

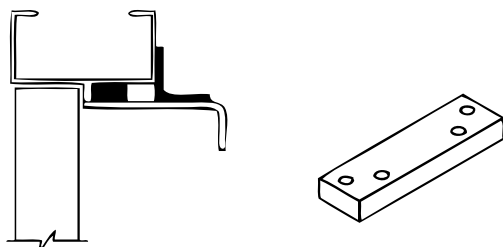
Clearance for the Cush Shoe is 140mm from door face.



Installation

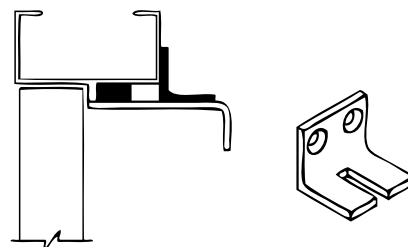
Blade Stop Spacer 4041-61

Lowers PA Shoe to clear 13mm blade stop.



Cush Shoe Support 4041-30

Provides anchorage for fifth screw used with Cush Arms where reveal is less than 78mm.

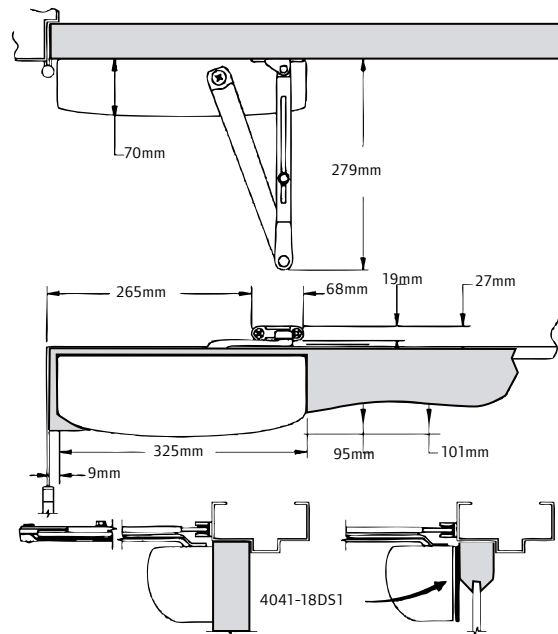


LCN 4041 Series

Mounting Details – Designer Cover

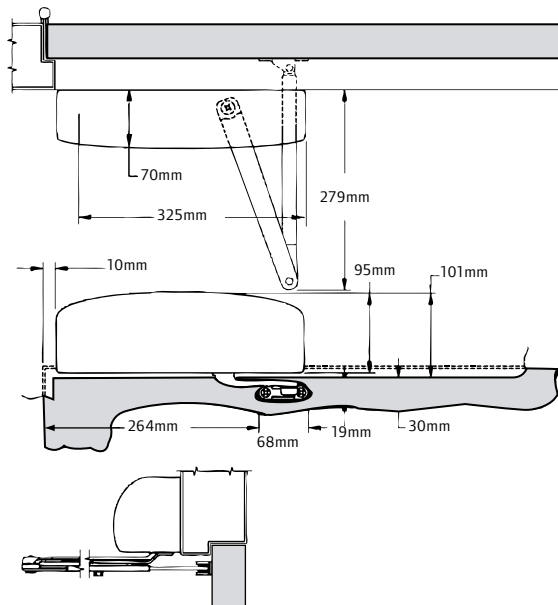
Regular (Pull Side) Mounting

Regular mounting has a maximum opening of 120°. The hold-open arm allows the door to be set at a hold-open point between 85° to 120°. The reveal should not exceed 19mm for a regular or hold-open arm. Top rail less than 95mm requires Adaptor Plate. Adaptor Plate requires a 51mm minimum top rail. Clearance of 70mm behind door is required for 90° installation.



Top Jamb (Push Side) Mounting

Top jamb mounting has a maximum opening of 120°. The hold-open arm allows the door to be set at a hold-open point between 85° to 120°. A reveal of 65mm for regular and hold-open arms allows a 120° opening. Top rail requires 32mm minimum. Head frame requires 89mm minimum.

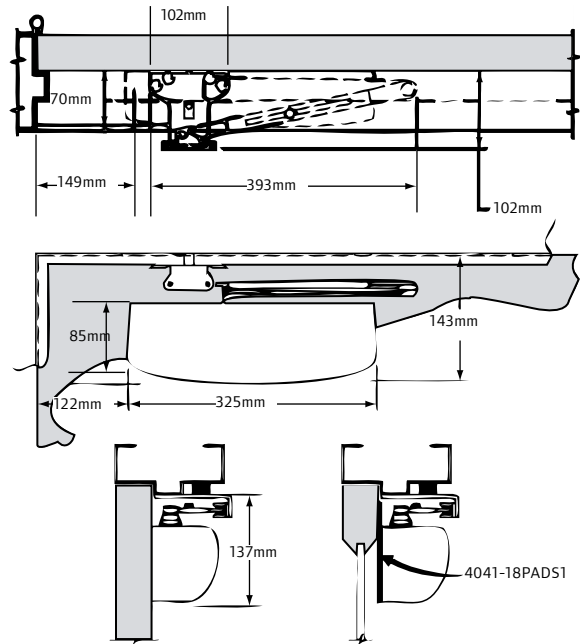


LCN 4041 Series

Mounting Details – Designer Cover

Parallel Arm (Push Side) Mounting

Parallel arm mounting has a maximum opening of 180°. The hold-open arm allows the door to be set at one given hold open point up to the maximum opening. Clearance for the PA Shoe is 102mm from door face. Top rail less than 140mm measured from the stop requires Drop Plate. The Drop Plate requires a 51mm minimum from the stop. Minimum stop width is 25mm. Blade stop clearance requires 13mm Blade Stop Spacer. When installing closers in parallel arm configuration, strength may be needed to be adjusted upwards to compensate for power reduction.

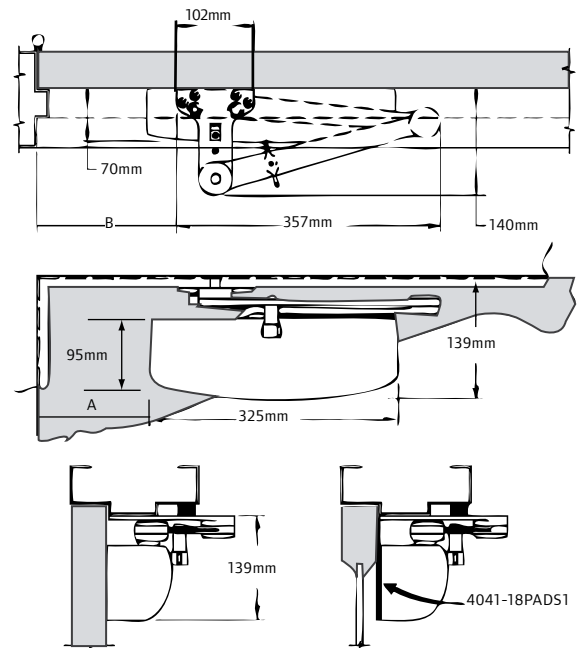


Cush-N-Stop (Pull Side) Mounting

Cush arms can be templated for the following maximum opening/hold-open points:

1. 85° - A = 225mm & B = 220mm
2. 90° - A = 206mm & B = 183mm
3. 100° - A = 177mm & B = 154mm
4. 110° - A = 152mm & B = 129mm

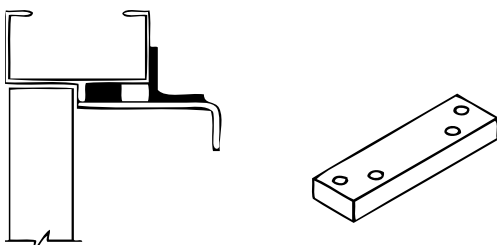
Clearance for the Cush Shoe is 140mm from door face.



Installation

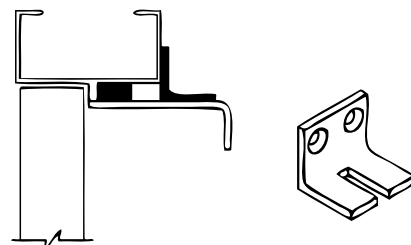
Blade Stop Spacer 4041-61

Lowers PA Shoe to clear 13mm blade stop.



Cush Shoe Support 4041-30

Provides anchorage for fifth screw used with Cush Arms where reveal is less than 78mm.

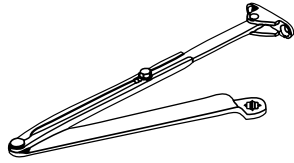


LCN 4041 Series

Accessories

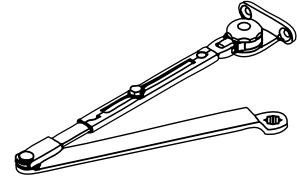
Regular Arm 4041-3077

Standard, non-handed arm mounts hinge side or top jamb. For parallel arm mounting, a PA Shoe is also required. Available in Aluminium finish.



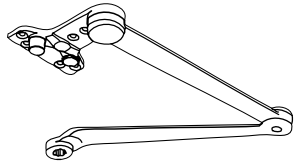
Hold-Open Arm 4041-3049

Non-handed, hold-open arm mounts hinge side or top jamb. For parallel arm mounting, a PA Shoe is also required. Hold-open adjustable at shoe. Available in Aluminium finish.



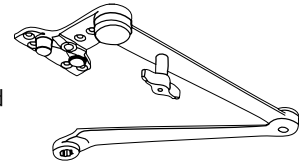
Cush-N-Stop Arm 4041-3077CNS

Non-handed parallel arm features solid forged steel main arm and forearm, with stop in soffit shoe. Available in Aluminium finish.



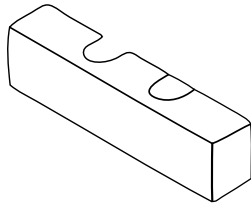
Hold-Open Cush-N-Stop Arm 4041-3049CNS

Non-handed arm, provides hold-open function with templated stop/hold open points. Hold-open controlled by tee handle. Available in Aluminium finish.



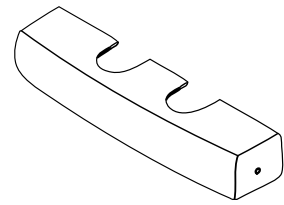
Square Metal Cover 4041-MC

Non-handed cover, providing complete enclosure of closer body. Available in Polished Brass, Polished Stainless Steel and Satin Stainless Steel finishes.



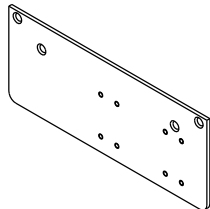
Designer Metal Cover 4041-DS1

Standard, non-handed cover, providing complete enclosure of closer body. Available in Aluminium finish.



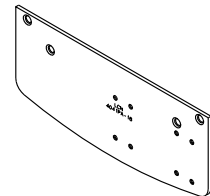
Drop Plate 4040-18PA

Mounting plate required for parallel arm mounting configuration where top rail is less than 114mm, measured from the stop. A drop plate requires a 44mm minimum top rail.



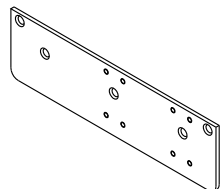
Drop Plate 4040-18PADS1

Mounting plate required for parallel arm mounting configuration where top rail is less than 114mm, measured from the stop. A drop plate requires a 44mm minimum top rail.



Adaptor Plate 4040-18

Mounting plate required top jamb mounting where head frame is less than 60mm or a flush ceiling condition exists.



Adaptor Plate 4040-18DS1

Mounting plate required top jamb mounting where head frame is less than 60mm or a flush ceiling condition exists.

