

MOVEMENT AS IF BY MAGIC  
INTEGRATED DOOR CLOSERS – GEZE BOXER RANGE



## CONTENTS

GEZE Boxer Integrated door closer for single-leaf doors with a leaf width of up to 1400 mm	<b>4</b>
GEZE Boxer E Integrated door closer for single-leaf doors with a leaf width of up to 1400 mm, with electrical hold-open	<b>9</b>
GEZE Boxer EFS Integrated door closer for single-leaf doors with a leaf width of up to 1100 mm, with electrical freeswing function	<b>14</b>
GEZE Boxer ISM Integrated door closer system for double-leaf doors with a hinge clearance of up to 2800 mm featuring integrated closing sequence control	<b>18</b>
GEZE Boxer E-ISM Integrated door closer system for double-leaf doors with a hinge clearance of up to 2800 mm featuring integrated closing sequence control and electrical hold-open	<b>26</b>
GEZE Boxer ISM-EFS Integrated door closer system for double-leaf doors with a hinge clearance of up to 2200 mm featuring integrated closing sequence control and electrical freeswing function on the moving leaf	<b>34</b>
GEZE Boxer P Integrated door closer for single-leaf double-action doors with a leaf width of up to 1100 mm	<b>40</b>
GEZE smoke switch control unit RSZ6	<b>44</b>
GEZE References	<b>47</b>

# GEZE BOXER

## GEZE Boxer

### Integrated door closer for single-leaf doors with a leaf width of up to 1400 mm

The GEZE Boxer integrated door closer for single-leaf doors is incorporated discreetly into the door leaf and frame. The guide rail and lever are only visible when the door is open. Once the door is installed, the closing force and speed, latching action and hydraulic back check can be conveniently adjusted from the top. The door closer can be used for right and left single-action doors without any need for conversion.

An additional door suitability certificate is required for fireproof doors. The door must be limited at an opening angle of about 120°.

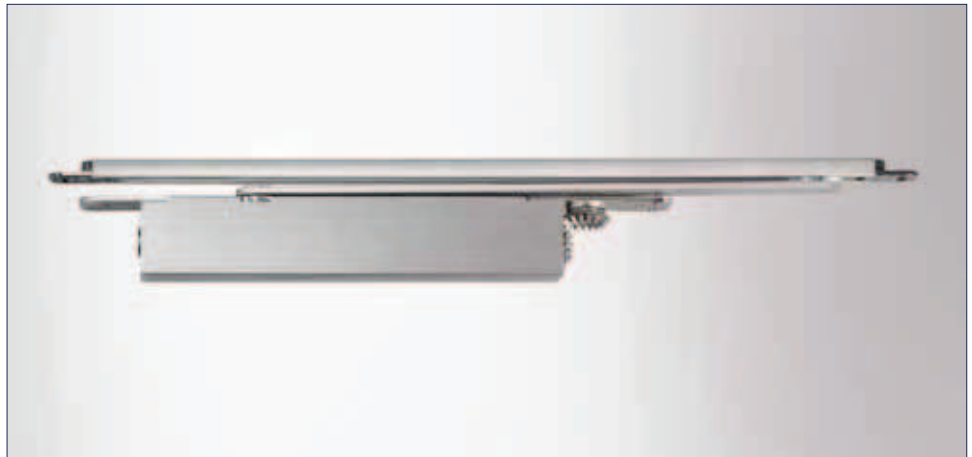
Optional:

Mechanical hold-open

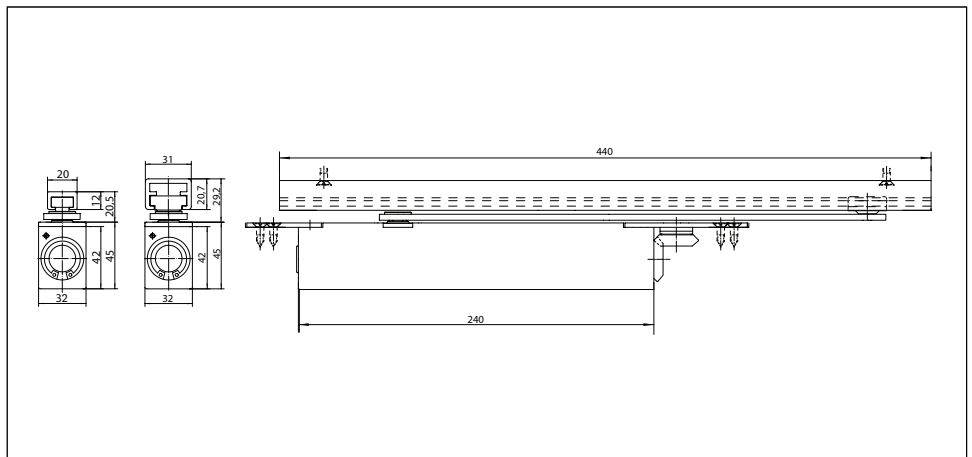
The hold-open angle can be set anywhere between about 80° and 120°, the hold-open retention force is adjustable.

Please note: Not permitted for use on fireproof doors.

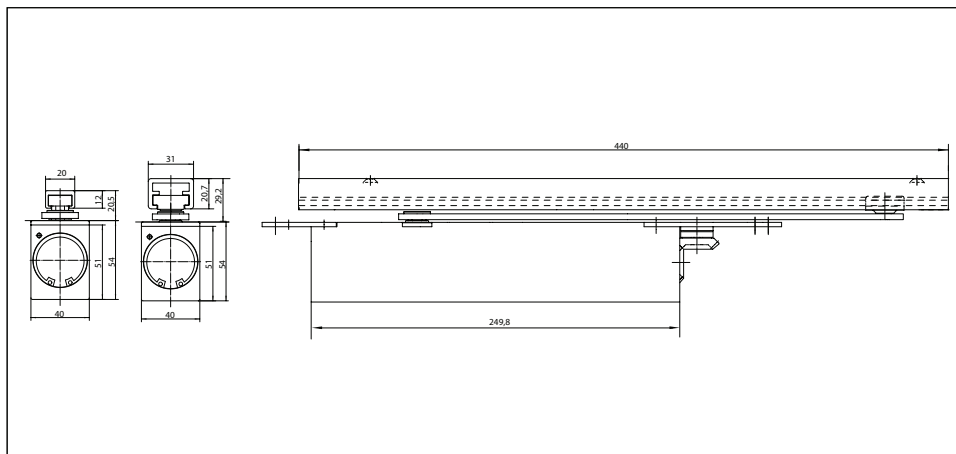
### GEZE Boxer



### GEZE Boxer



Size 2-4



Size 3-6

**Application range**

- Compatible with left-hand and right-hand doors without the need for conversion
- Closer size 2-4 for interior doors up to a leaf width of 1100 mm and a leaf weight of 130 kg
- Closer size 3-6 for interior and exterior doors up to a leaf width of 1400 mm and a leaf weight of 180 kg
- Door leaf thickness from 40 mm for size 2-4, from 50 mm for size 3-6
- For fireproof doors with appropriate suitability certificate

**Technical specifications: Closer**

Product features	GEZE Boxer 2-4 closer	GEZE Boxer 3-6 closer
Closing force in accordance with EN 1154	2 - 4	3 - 6
Leaf width recommended up to	1100 mm	1400 mm
Leaf weight recommended up to	130 kg	180 kg
Minimum leaf thickness	40	50
Identical version DIN-L and DIN-R	•	•
Product tested in acc. with	Door closer tested in acc. with EN 1154	
Length	286 mm	293 mm
Installation depth	32 mm	40 mm
Height	45 mm	54 mm

**Functions**

Adjustable closing force	Yes, infinitely variable	
Adjustable closing speed	•	•
Adjustable latching action	Yes, via valve	
Integrated back check	Yes, hydraulically adjustable	
Closing force adjustment position	Top	
Safety valve to protect against vandalism	•	•

**Technical specifications: Guide rail**

Product features	Boxer guide rail 12 mm	Boxer guide rail 20,7 mm
For use on single-action/double-action doors	Single-action door	
Length	440 mm	
Installation depth	20 mm	31 mm
Height	12 mm	20,7 mm

**Functions**

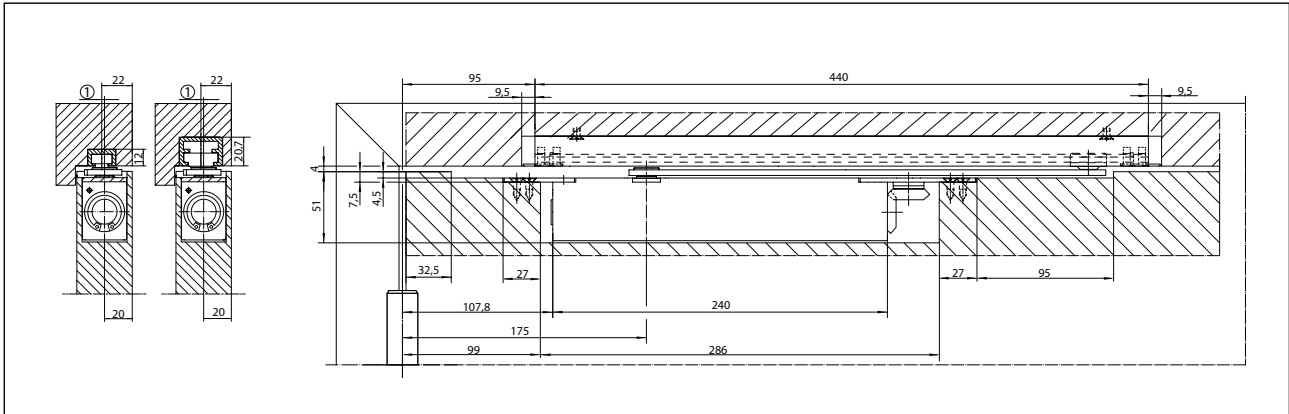
Integrated opening restrictor	○	○
Integrated hold-open mechanism	○	○

○ = Optional

• = Standard

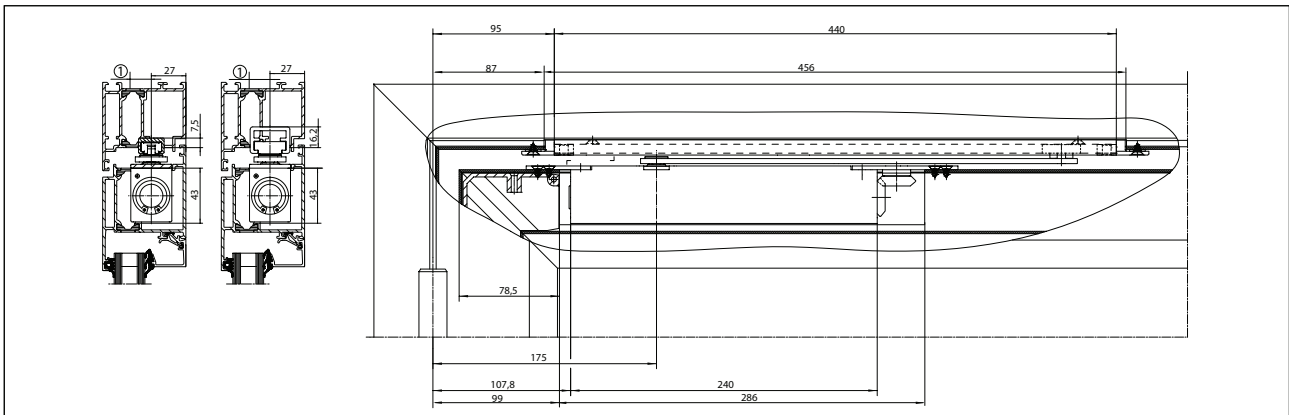
**Installation drawings**

Boxer size 2-4



Installation on timber door

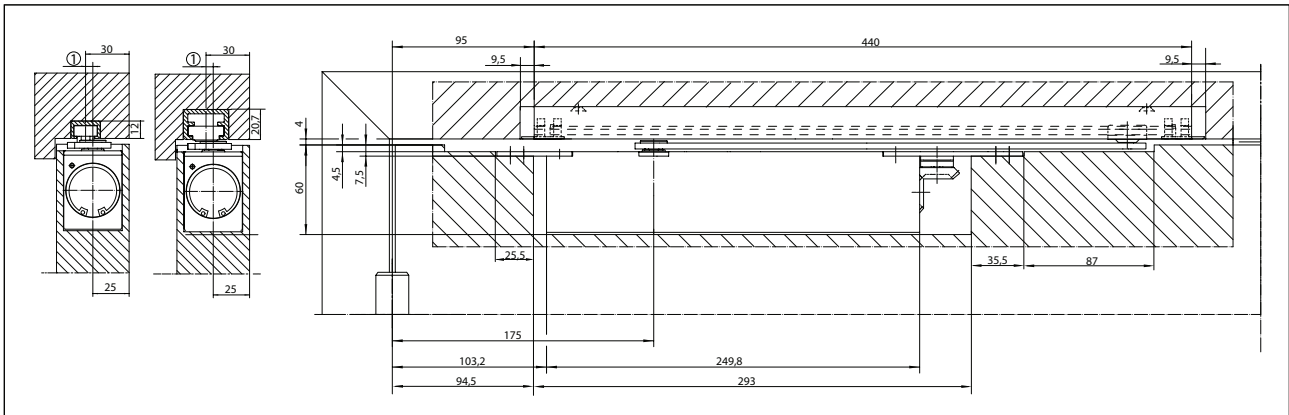
(1) = Guide rail offset: max. 10 mm



Installation on metal door

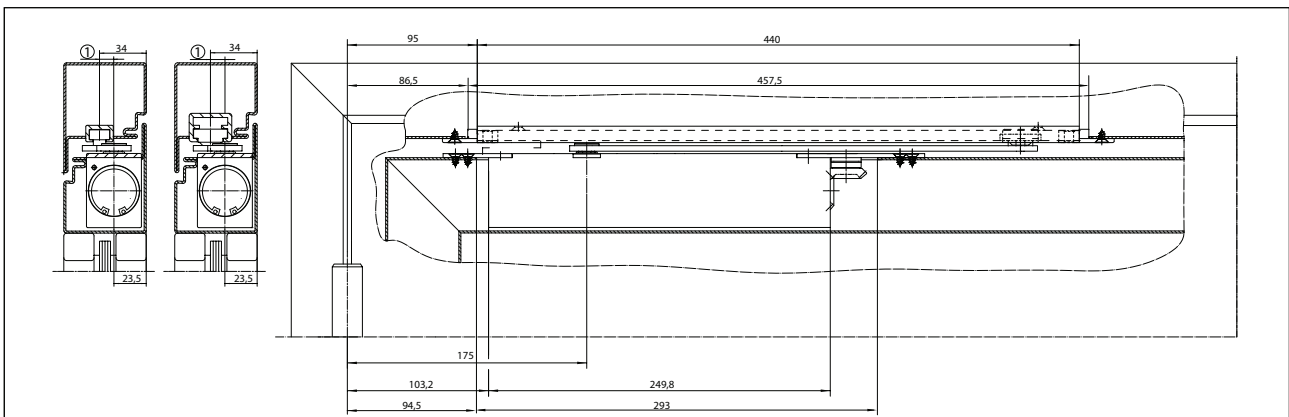
(1) = Guide rail offset: max. 10 mm

Boxer size 3-6



Installation on timber door

(1) = Guide rail offset: max. 10 mm



Installation on metal door

(1) = Guide rail offset: max. 10 mm