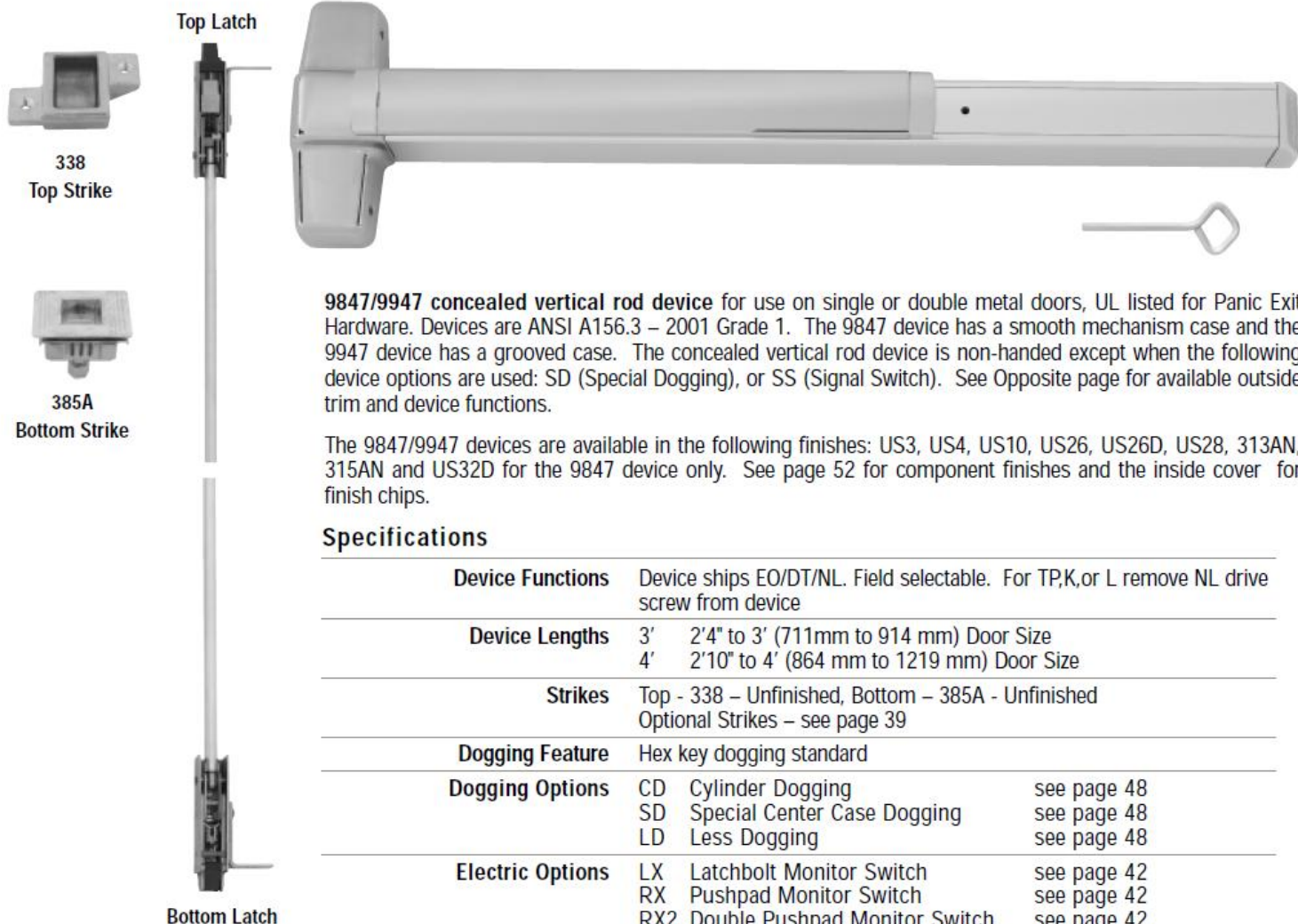


VON DUPRIN® 9847/9947 Concealed Vertical Rod Device



9847/9947 concealed vertical rod device for use on single or double metal doors, UL listed for Panic Exit Hardware. Devices are ANSI A156.3 – 2001 Grade 1. The 9847 device has a smooth mechanism case and the 9947 device has a grooved case. The concealed vertical rod device is non-handed except when the following device options are used: SD (Special Dogging), or SS (Signal Switch). See Opposite page for available outside trim and device functions.

The 9847/9947 devices are available in the following finishes: US3, US4, US10, US26, US26D, US28, 313AN, 315AN and US32D for the 9847 device only. See page 52 for component finishes and the inside cover for finish chips.

Specifications

Device Functions	Device ships EO/DT/NL. Field selectable. For TP,K,or L remove NL drive screw from device	
Device Lengths	3' 2'4" to 3' (711mm to 914 mm) Door Size	
	4' 2'10" to 4' (864 mm to 1219 mm) Door Size	
Strikes	Top - 338 – Unfinished, Bottom – 385A - Unfinished Optional Strikes – see page 39	
Dogging Feature	Hex key dogging standard	
Dogging Options	CD Cylinder Dogging	see page 48
	SD Special Center Case Dogging	see page 48
	LD Less Dogging	see page 48
Electric Options	LX Latchbolt Monitor Switch	see page 42
	RX Pushpad Monitor Switch	see page 42
	RX2 Double Pushpad Monitor Switch	see page 42
	EL Electric Latch Retraction	see page 43
	SS Signal Switch	see page 43
	CX Chexit Delayed Exit	see page 45
	ALK Alarm Exit Kit	see page 42
Miscellaneous Options	PN Pneumatic Latch Retraction	see page 48
	LBR Less Bottom Rod	see page 49
	GBK Glass Bead Kit	see page 49
	PL Pullman Latch	see page 49
Fasteners & Sex Bolts (SNB)	Includes 1 ¾" (19mm) – 2 ¼" (57mm) Wood & Metal Doors Optional SNB available for device, see next page for quantities	
Latch Bolt	Deadlocking Top & Bottom Bolt, ⅝" (16mm) throw	
Device Centerline from Finished Floor	39 ⅝" (1006 mm) Standard, Adjustable from 35 ⅝" (905mm) to 49 ⅝" (1260mm)	
Door Undercut	¼" (7mm) maximum	
Center Case Dimensions	8" x 2 ¾" x 2 ⅜" (203mm x 70mm x 60mm)	
Mechanism Case Dimensions	2 ¼" x 2 ¼" (57mm x 57mm)	
Top & Bottom Latch Case	4 ½" x 2 ⅛" x 1 ½" (114mm x 54mm x 38mm)	
Vertical Rods	Round 2 piece adjustable rods Top rod adjustable from 6'8" (2027mm) to 8'4"(2533mm) Bottom rod adjustable 35 ⅝" (905 mm) to 49 ⅝" (1260 mm) Extension rod kits available for doors over 8'4" (2533mm)	
Projection	Pushbar Neutral – 3 ⅜" (97 mm) Pushbar Depressed – 3 ¼" (78 mm)	