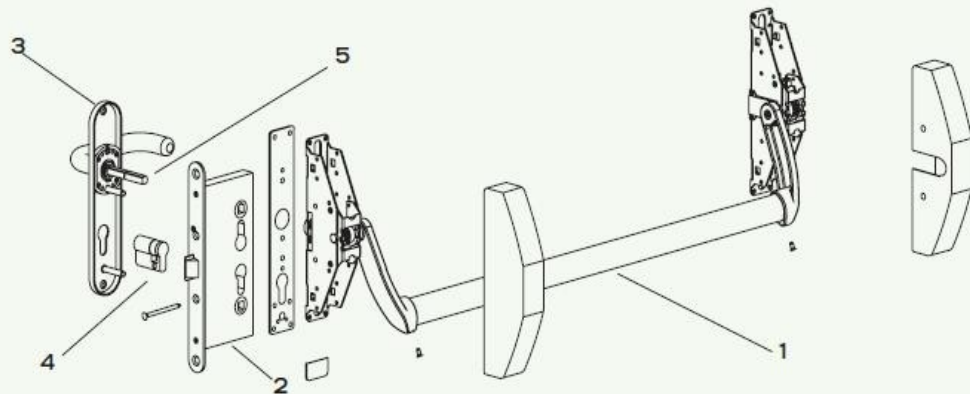


Mortice Model 1970. Single doors.



EN 1125 certificate in the 2 units: 1970+CF60 and 1970+2035T/4039T :

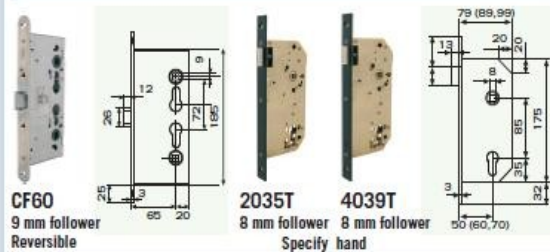
3 7 6 1 1 3 2 2 A

1 - PANIC DEVICE

The box includes:

- » 1 oval shape horizontal bar 900 mm in length.
- » 1 main support and 1 auxiliary support.
- » 1 inner plate (Ref. E1971INNE) to be used only with CF60 lock series
- » Assembly instructions and installation template.
- » Accessories:
 - Fixing screws
 - Screws witch support the horizontal bar.
 - A plastic hub cap (to be placed with the inner plate)
 - Squares spindles:
 - Panic device with 8 mm follower:**
 - Double screwed square spindle 8/8 + 8/8.
 - Panic device with 9 mm follower:**
 - Double screwed square spindle 9/9 + 9/9.

2 - MORTICE LOCKS



3 - OUTSIDE DEVICES

The outside device must be selected depending on the type of lock. Two models are available: one for CF60 lock and the other suitable for 2035T and 4039T.

4 - CYLINDERS

Any type of TESA cylinder can be used, facilitating the Masterkeying. Cylinder length will depend on the lock position and the door thickness.

5 - Squares spindles

1970 panic device model include:

Panic device with 8 mm follower:

- » Double screwed square spindle 8/8 + 8/8. Ref. CD2030S8M

Panic device with 9 mm follower:

- » Double screwed square spindle 9/9 + 9/9. Ref. CD9X559X67

